

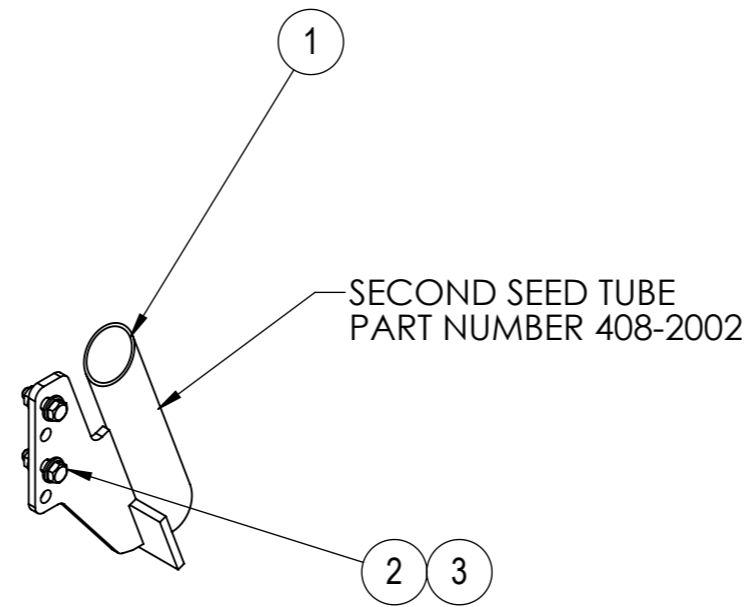
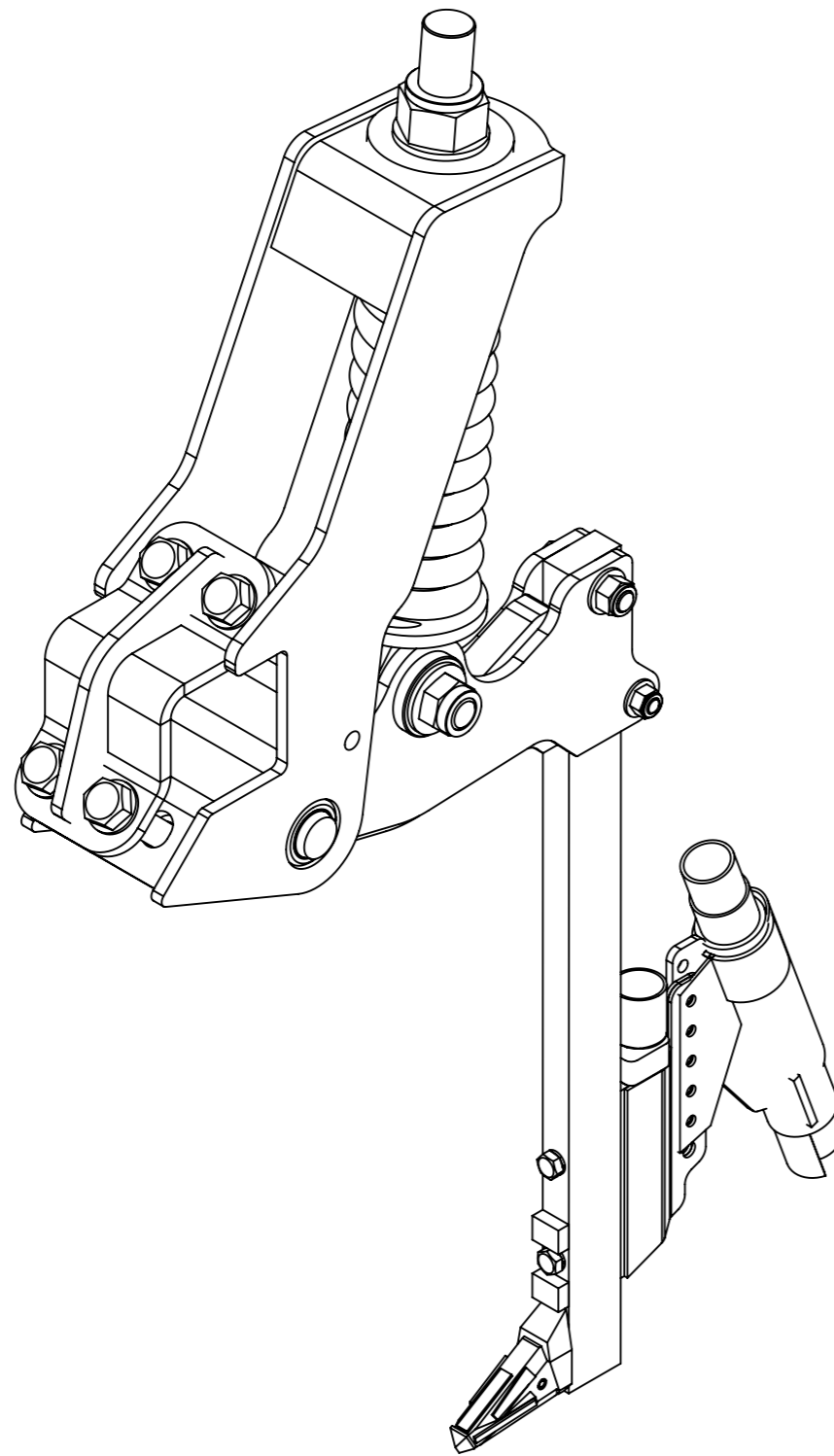
ITEM NO.	PART NUMBER	DESCRIPTION	QTY
1	114-1118	SEED TUBE RUBBER ASSEMBLY 2nd	1
2	133-4041	M10 x 60 HEX BOLT ZINC GR8.8	2
3	133-4087	M16 x 65 HEX BOLT ZINC GR8.8	1
4	133-4114	M20 x 100 HEX BOLT ZINC GR8.8	4
5	133-4134	M12 x 40 HEX FLANGE BOLT ZINC GR 8.8	1
6	133-4135	M12 x 60 HEX FLANGE BOLT ZINC GR 8.8	1
7	134-0056	SPRING WASHER M10	2
8	134-1045	M20 HEX NUT ZINC PLATED GR 8.8	4
9	134-4016	M12 HEX NYLOCK NUT ZINC PLATED GR 8.8	2
10	134-4023	M16 HEX NYLOCK NUT ZINC PLATED GR 8.8	1
11	134-4042	M24 HEX NYLOCK NUT GR 8.8 ZINC PLATED	2
12	135-1015	SPRING WASHER M20	4
13	135-3012	WASHER FLAT M12	2
14	135-3023	FLAT WASHER M24	2
15	135-3036	WASHER FLAT M16	1
16	135-3040	WASHER FLAT M20	8
17	140-4134	ROLL PIN 1/4" x 1"	1
18	408-3008	251 SPRING TYNE SECOND SEED TUBE	1
19	408-4052	BUSH SLEEVE PLASTIC ID35 OD39 Length 25	2
20	409-2021	552 SPRING ASSEMBLY	1
21	409-3002	SPRING SWIVEL PIN 551/2 TYNE	1
22	409-3020	SHANK HOLDER	1
23	409-3021	SINGLE SEED TUBE	1
24	409-3026	552 TYNE CARRIER	1
25	409-3027	552 TYNE CARRIER MOUNTING PLATE	1
26	409-4097	SWIVEL BAR	1
27	411-3002	552 SHANK	1
28	411-4010	R1640XT	1

AGROWFLOW
 COPYRIGHT RESERVED
 THIS DRAWING IS THE PROPERTY AGROWFLOW PTY LTD, AND IS SUBJECT TO RETURN UPON DEMAND. IT IS SUBMITTED FOR USE ONLY IN CONNECTION WITH PROPOSALS OR CONTRACTS OF THIS ORGANISATION UPON THE EXPRESS CONDITION THAT IT IS NOT TO BE USED DIRECTLY OR INDIRECTLY IN ANY WAY DETRIMENTAL TO THE INTERESTES OF AGROWFLOW PTY LTD.

TITLE: **552 SPRING RELEASE TYNE**
 LAST PRINTED 21/01/2020 TOTAL MASS 62.34568 Kg

PART NUMBER **409-1002**
 SHEET: 1 OF 2 PAGE:

ITEM NO.	PART NUMBER	DESCRIPTION	QTY
1	408-3008	251 SPRING TYNE SECOND SEED TUBE	1
2	133-4021	M8 x 25 HEX FLANGE BOLT ZINC GR 8.8	2
3	134-4101	M8 HEX NUT ZINC FLANGE GR 8.8	2



NOTE:
 ASSEMBLY DOES NOT INCLUDED BUT IS ASSOCIATED WITH:
 DOULBE SEED CUP (SUITS DOUBLE GATE HOUSING): 113-3120
 BARFLO 38mm ID : 219-4010
 HOSE CLAMP : 155-1006

AGROWFLOW <small>COPYRIGHT RESERVED</small> <small>THIS DRAWING IS THE PROPERTY AGROWFLOW PTY LTD, AND IS SUBJECT TO RETURN UPON DEMAND. IT IS SUBMITTED FOR USE ONLY IN CONNECTION WITH PROPOSALS OR CONTRACTS OF THIS ORGANISATION UPON THE EXSPRESS CONDITION THAT IT IS NOT TO BE USED DIRECTLY OR INDIRECTLY IN ANY WAY DETRIMENTAL TO THE INTERESTES OF AGROWFLOW PTY LTD.</small>	TITLE: 552 SPRING RELEASE TYNE	PART NUMBER 409-1002
	<small>LAST PRINTED 21/01/2020</small>	