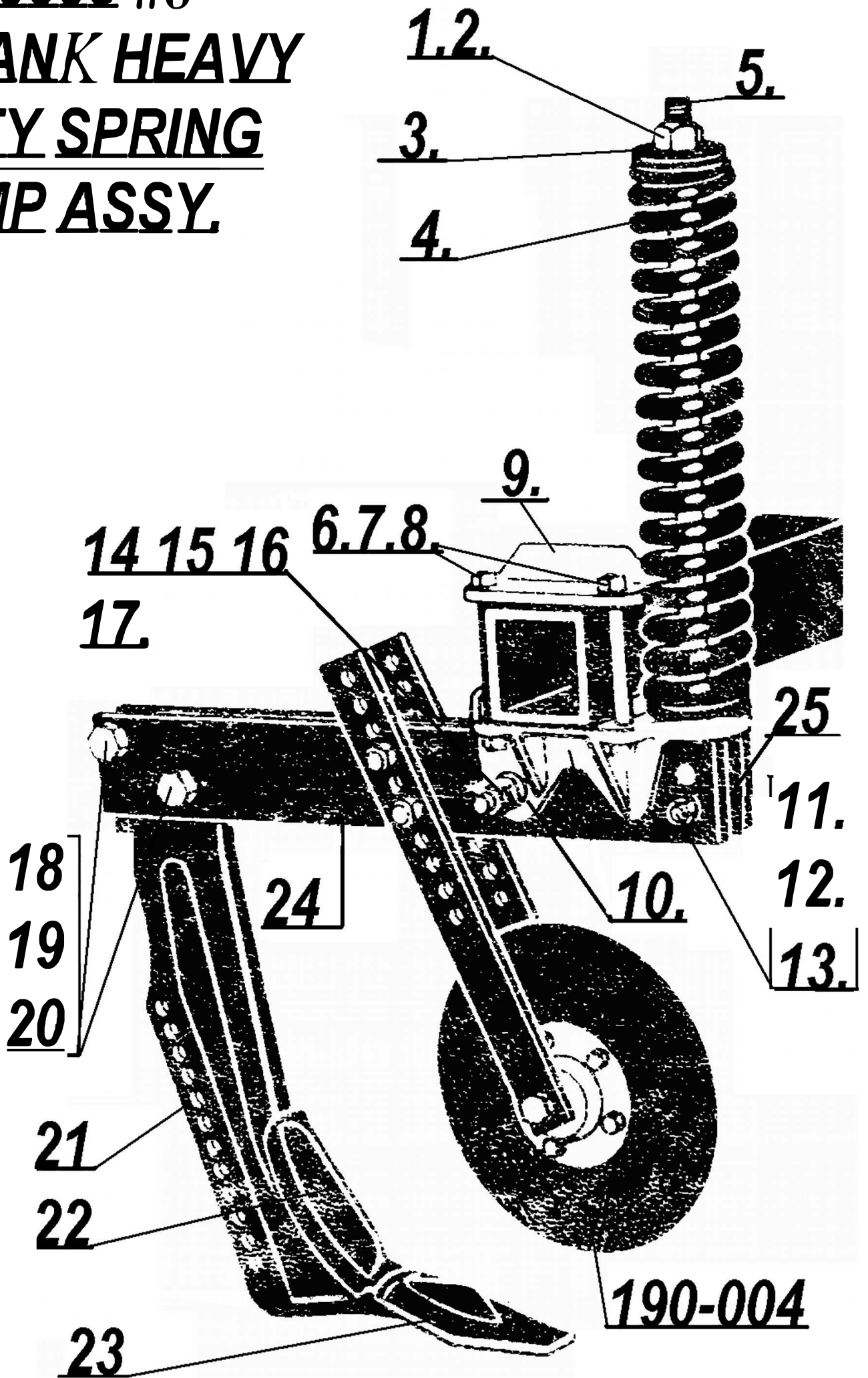


120-0005 #8
SHANK HEAVY
DUTY SPRING
JUMP ASSY.



120-0005 HEAVY DUTY SPRING JUMP ASSEMBLY.

ITEM#	DESCRIPTION	QTY	PART No.
	HEAVY DUTY SPRING		
	JUMP ASSEMBLY.		120-0005
1	NUT NYLOC 3/4" UNC.	1	134-1025
2	WASHER FLAT 3/4"	1	135-1010
3	SPRING KEEPER	1	003-3004
4	SPRING	1	124-0013
5	T-BOLT 3/4" UNC X 21"	1	132-0058
6	BOLT 5/8" X 6" UNC.	4	133-3020
7	WASHER 5/8" FLAT	4	135-0080
8	NUT NYLOC 5/8" UNC.	4	134-0095
9	CLAMP PLATE	1	003-3002
10	SHANK CARRIER 1" HOLE	1	003-1001
11	BOLT 5/8" X 3" UNC.	1	133-2080
12	WASHER SPRING 5/8"	1	135-0070
13	NUT 5/8" UNC.	1	134-0090
14	SHOULDER BOLT & KEEPER	1	003-4010
15	STEEL SHIM WASHER 7/8"	1	135-1020
16	STEEL SHIM WASHER 1"	1	135-1060
17	HALF NUT 7/8" UNC.	2	134-1060
18	BOLT 1" X 3 1/2" UNC	2	133-4050
19	WASHER SPRING 1".	2	135-1040
20	NUT 1" UNC.	2	134-1070
21	24" SHANK	1	121-1024
22	SHIN GUARD	1	121-2002
23	AP 3 BLADE TUNGSTEN TIPPED	1	122-0033
24	SIDE PLATES	2	125-0014
25	PLACE SPACER	1	107-0020
	OPTIONAL BLADES		
	AP3 HARDFACED BLADES		122-0035
	AP 3 BLADE PLAIN		122-2001
	ACCESSORIES		
	FIXED COULTER ASSEMBLY	ASSY	190-0004
	MULCH BLADE ASSEMBLY.	ASSY	123-0001
	810LB BREAKOUT AT BLADE		
	500MM 20 " WORKING DEPTH		