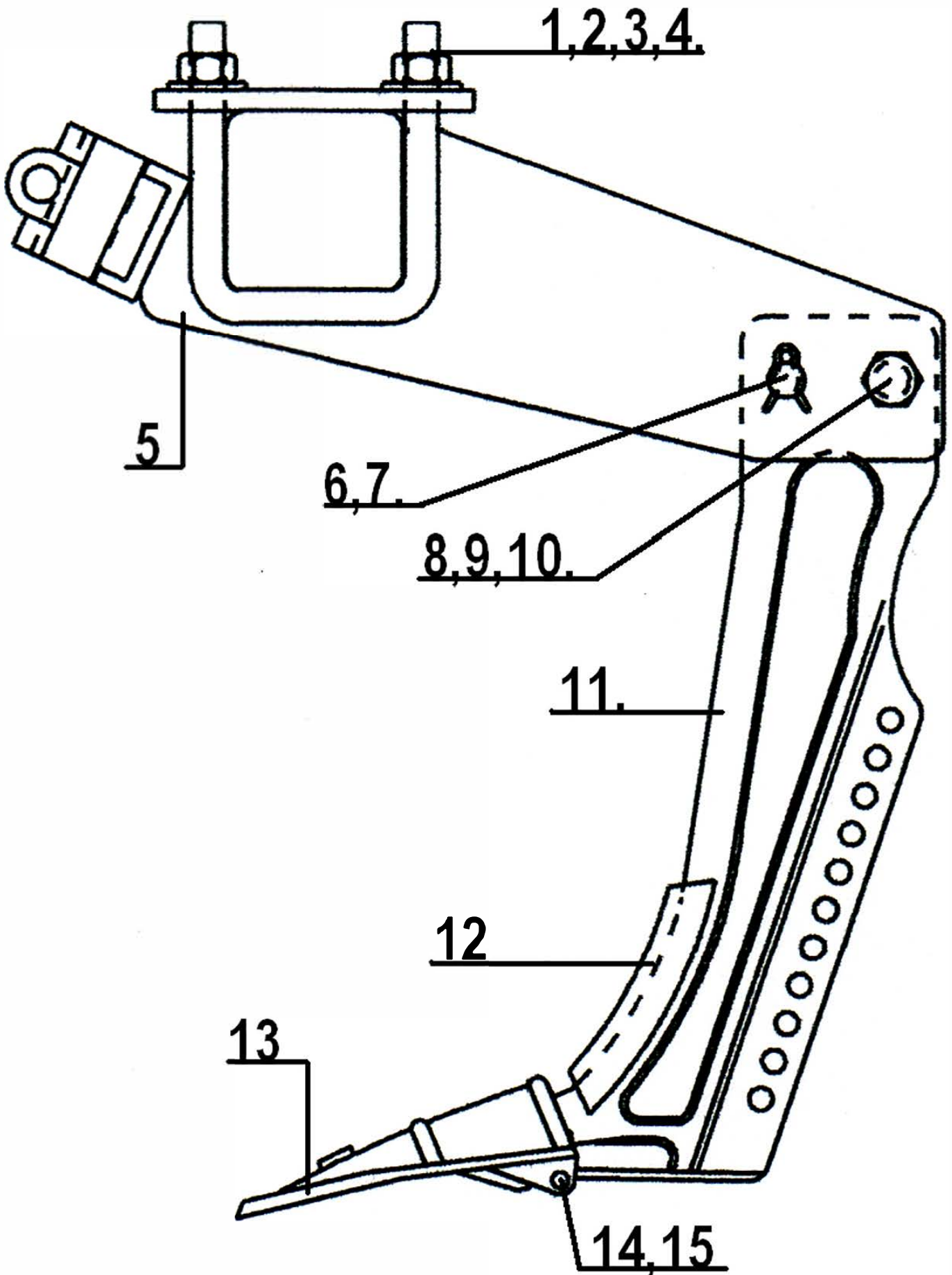


008-10.00 BOLT ON ECONO
SHANK ASSEMBLY



008-100ECONO BOLT ON SHANK ASSY.

	PART#	Item Description	Quantity
	004-3001	ECONO SHANK CARRIER	1
	121-3002	SHINGUARD - AT215	1
	130-1000	U BOLT - M20 x 150 x 102 Z/P	2
	135-1015	SPRING WASHER M20	4
	135-1010	3/4" H/DUTY ZINC PLATE FLAT	4
	134-1045	NUT M20	4
	141-0017	SHEAR PIN #17 ECONO 17mm	1
	141-4007	SHEAR PIN CLIP	2
	133-3900	BOLT 3 1/2 x 3/4 UNC	1
	135-0090	WASHER 3/4" SPRING	1
	134-1020	NUT 3/4 UNC	1
	121-2001	SHANK - 20' ECONO - AT230	1
	121-3002	SHIN GUARD	
	122-2066	BLADE TUNGSTENTIP AP216	1
	133-0075	BOLT 1 1/4 x 3/8 UNC	1
	134-0030	NUT 3/8 UNC	1
	135-0090	SPRING WASHER 3/4 MEDIUM	1
		ACCESSORIES	
	190-0005	12' Swivel Coulter - ECONO	1
	123-0001	MULCH BLADE ASSY	1
	121-3001	20" WELD ON REPAIR BASE.	1
	111-3013	SHANK REPAIR RIB	1
		SPECS	
		1200 LBS BREAKOUT AT BLADE	
		14" DEPTH WITHOUT COULTERS 10" WITH	
		530 MM UNDERFRAME CLEARANCE	