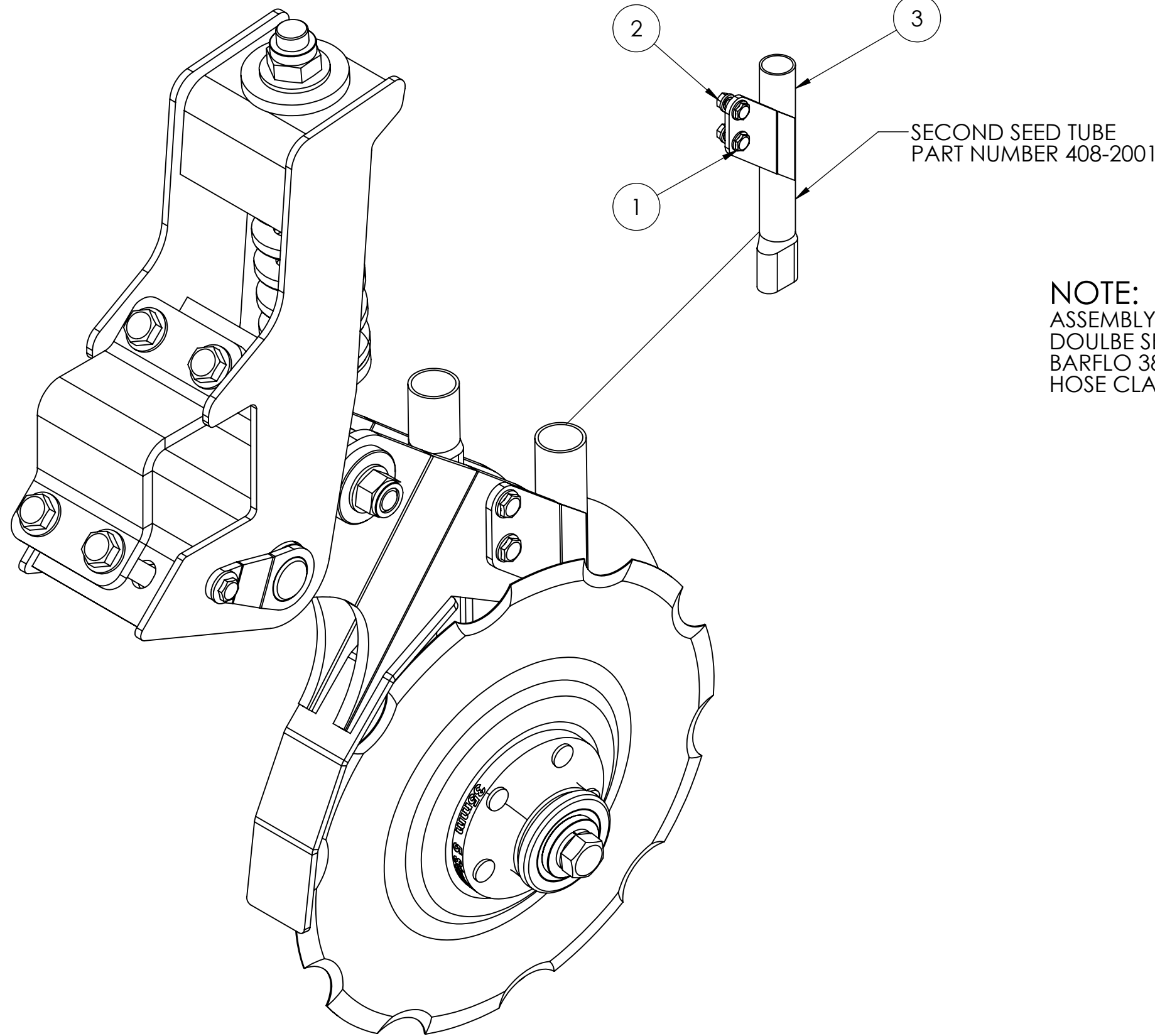


ITEM NO.	PART NUMBER	DESCRIPTION	Default/ QTY.
1	132-3001	COULTER SPRING	1
2	133-4122	M16 x 85 HEX BOLT ZINC GR 8.8	4
3	133-4133	M12 x 30 HEX FLANGE BOLT ZINC GR 8.8	1
4	133-4136	M20 x 45 HEX FLANGE BOLT ZINC GR 8.8	2
5	134-1046	M20 HEX NYLOCK NUT ZINC PLATED GR 8.8	2
6	134-4042	M24 HEX NYLOCK NUT GR 8.8 ZINC PLATED	1
7	135-1015	SPRING WASHER M20	1
8	135-3023	FLAT WASHER M24	1
9	135-3036	WASHER FLAT M16	4
10	135-3040	WASHER FLAT M20	3
11	139-1036	M12 x 1.5 THREAD WHEEL NUT	10
12	161-0100	UNI-HUB 4, 35mm BEARING HUB	2
13	202-0053	M12 HEX NUT ZINC FLANGE GR 8.8	1
14	202-0120	M16 HEX NUT ZINC FLANGE GR 8.8	4
15	408-3001	CARRIER	1
16	408-3004	SHANK SWIVEL PIN	1
17	408-3006	401 DOUBLE DISC ARM	1
18	408-4001	DISC 16" 10 NOTCH	1
19	408-4002	DISC 16" PLAIN	1
20	408-4007	NYLON LOCATOR	1
21	408-4008	CARRIER CLAMP BRACKET	1
22	408-4009	SPRING TENSION BAR	1
23	408-4010	RETAINER WASHER	2
24	408-4021	SWIVEL BAR	1
25	408-4031	SPACER	2
26	408-4032	BEARING END MOUNTING BOSS	2
27	408-4033	FELT SEAL OD 54 x ID 44 x 9.5 THK	2
28	408-4034	DUST CAP	2
29	408-4035	SPRING CENTRALIZER	1
30	408-4038	ROD END 25mm BALL, M24 RH FEMALE THREAD, TEFLON/STEEL, SI25ET	1
31	408-4052	BUSH ID 35, OD 39, Length 25	2

DISC WARE MAY FORM A GAP BETWEEN THE DISCS. THIS GAP CAN BE CLOSED BY SHIFT THE SPACER (25) TO THE OTHER SIDE OF THE BEARING HUB (12). SPACERS CAN BE MOVED ON ONE SIDE OR BOTH SIDES DEPENDING ON THE SIZE OF THE GAP.

AGROWFLOW COPYRIGHT RESERVED <small>THIS DRAWING IS THE PROPERTY AGROWFLOW PTY LTD, AND IS SUBJECT TO RETURN UPON DEMAND. IT IS SUBMITTED FOR USE ONLY IN CONNECTION WITH PROPOSALS OR CONTRACTS OF THIS ORGANISATION UPON THE EXPRESS CONDITION THAT IT IS NOT TO BE USED DIRECTLY OR INDIRECTLY IN ANY WAY DETRIMENTAL TO THE INTERESTS OF AGROWFLOW PTY LTD.</small>	TITLE: 401 DOUBLE DISC UNIT	PART NUMBER 408-1001	
			SHEET: PAGE: 1 OF 2
12-Jul-18			

ITEM NO.	PART NUMBER	DESCRIPTION	QTY.
1	202-0052	M10 x 25 HEX FLANGE BOLT ZINC GR 8.8	2
2	202-0050	M10 HEX NUT ZINC FLANGE GR 8.8	2
3	408-3007	401 SECOND SEED TUBE	1



NOTE:
 ASSEMBLY DOES NOT INCLUDED BUT IS ASSOCIATED WITH:
 DOULBE SEED CUP (SUITS DOUBLE GATE HOUSING): 113-3120
 BARFLO 38mm ID : 219-4010
 HOSE CLAMP : 155-1006

<p>AGROWFLOW</p> <p><small>COPYRIGHT RESERVED</small></p> <p><small>THIS DRAWING IS THE PROPERTY AGROWFLOW PTY LTD, AND IS SUBJECT TO RETURN UPON DEMAND. IT IS SUBMITTED FOR USE ONLY IN CONNECTION WITH PROPOSALS OR CONTRACTS OF THIS ORGANISATION UPON THE EXSPRESS CONDITION THAT IT IS NOT TO BE USED DIRECTLY OR INDIRECTLY IN ANY WAY DETRIMENTAL TO THE INTERESTES OF AGROWFLOW PTY LTD.</small></p>	<p>TITLE: 401 DOUBLE DISC UNIT</p>	<p>PART NUMBER 408-1001</p>
	<p>12-Jul-18</p>	