

DISC WARE MAY FORM A GAP BETWEEN THE DISCS. THIS GAP CAN BE CLOSED BY SHIFT THE SPACER (24) TO THE OTHER SIDE OF THE BEARING HUB (14). SPACERS CAN BE MOVED ON ONE DISC OR DISCS DEPENDING ON THE SIZE OF THE GAP.

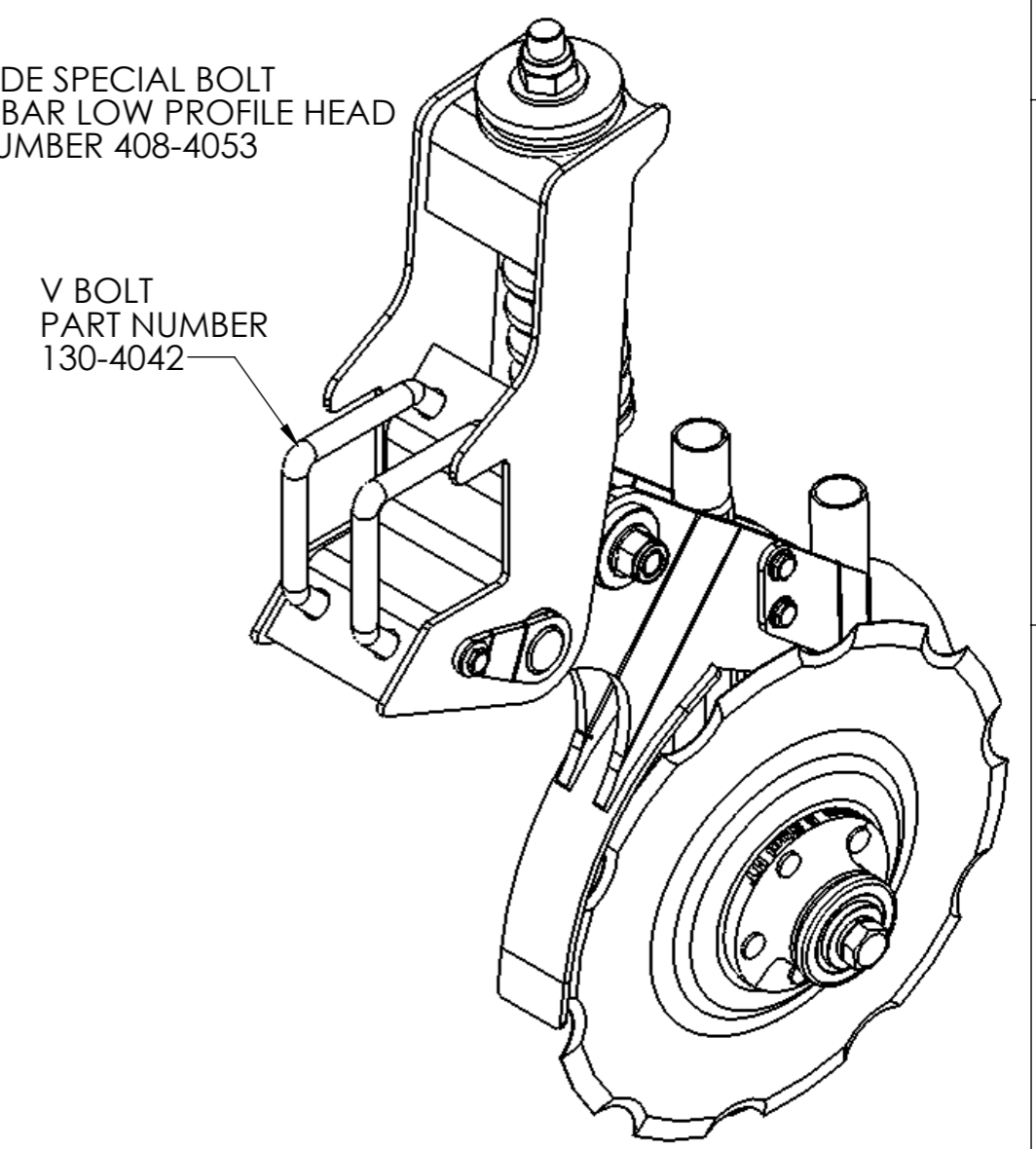
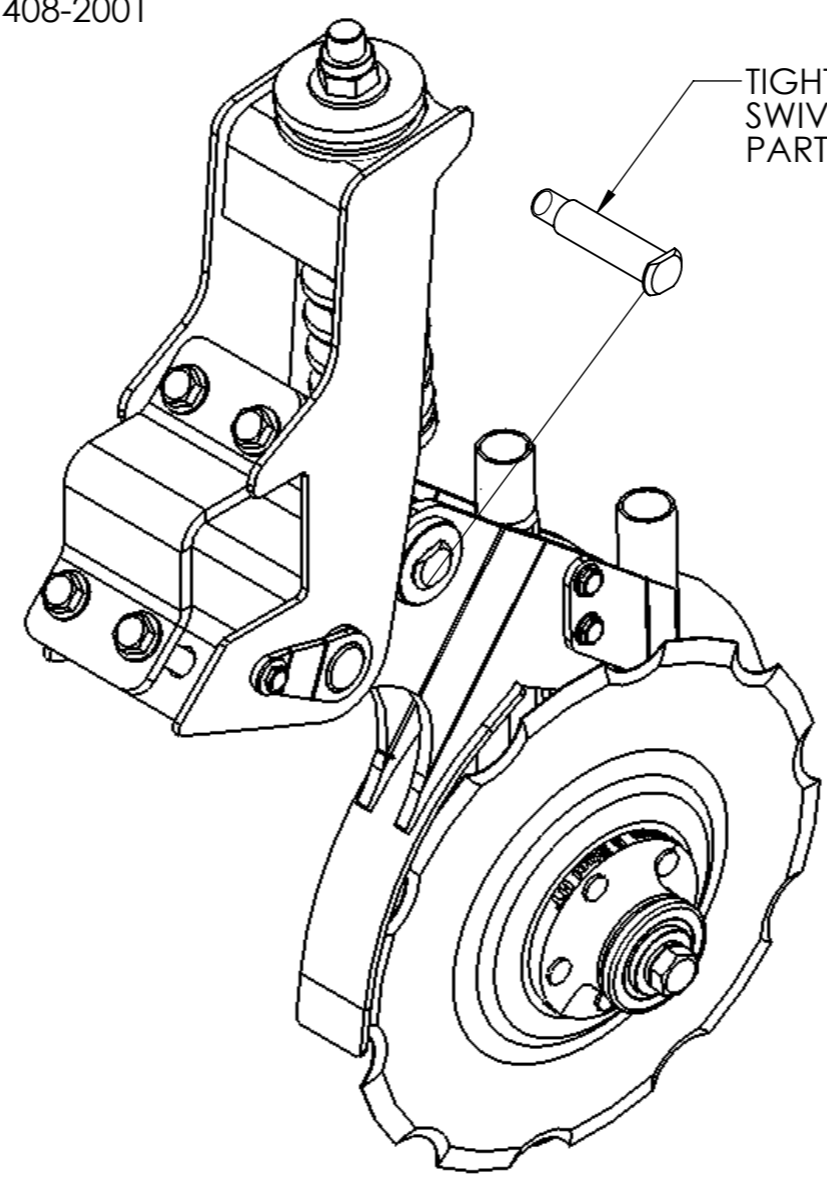
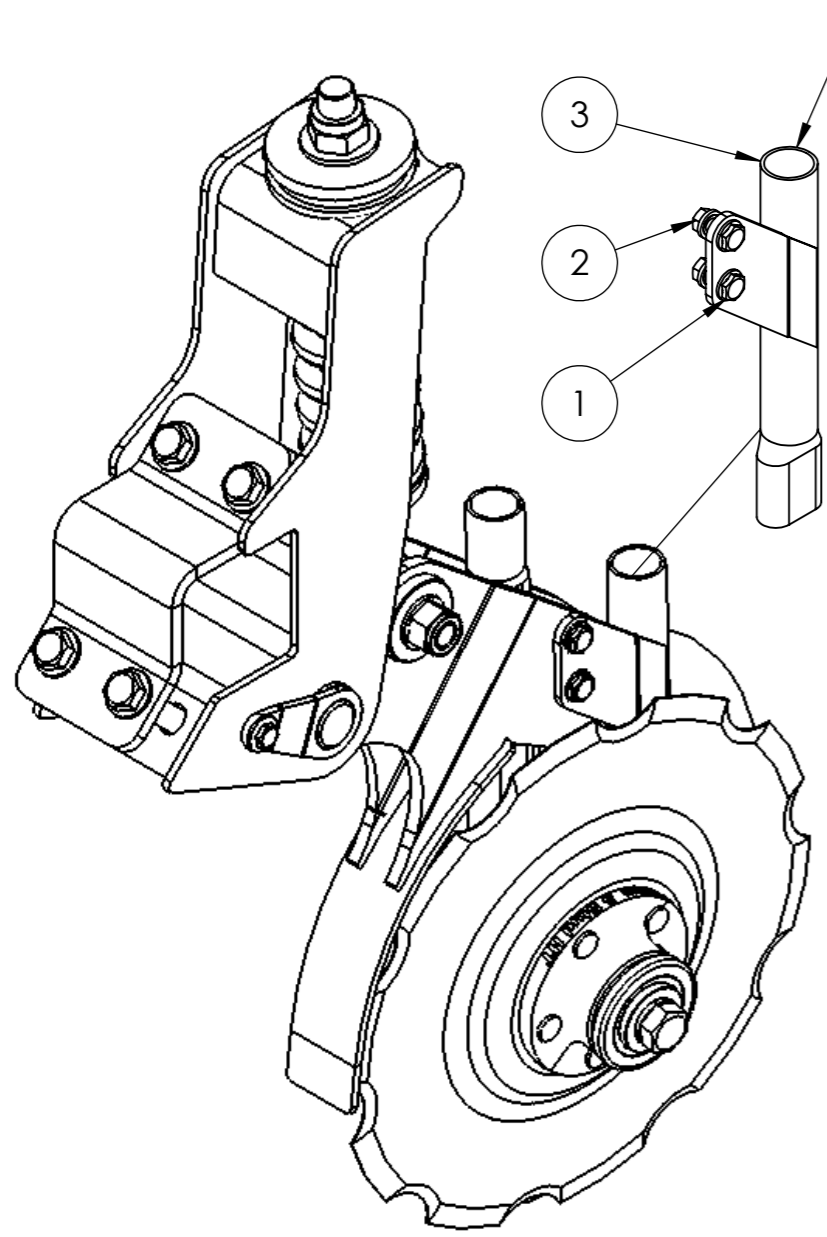
NOTE - ASSEMBLY DOES NOT INCLUDE BUT IS ASSOCIATED WITH:
 DOULBE SEED CUP (SUITS DOUBLE GATE HOUSING): 113-3120
 BARFLO 38mm ID : 219-4010
 HOSE CLAMP : 155-1006

ITEM NO.	PART NUMBER	DESCRIPTION	Default/ QTY.
1	132-3001	251 401 AND COULTER SPRING	1
2	133-4122	M16 x 90 HEX BOLT ZINC GR8.8	4
3	133-4133	M12 x 30 HEX FLANGE BOLT ZINC GR 8.8	1
4	133-4136	M20 x 45 HEX FLANGE BOLT ZINC GR 8.8	2
5	134-1046	M20 HEX NYLOCK NUT ZINC PLATED GR 8.8	2
6	134-4016	M12 HEX NYLOCK NUT ZINC PLATED GR 8.8	1
7	134-4042	M24 HEX NYLOCK NUT GR 8.8 ZINC PLATED	1
8	135-1015	SPRING WASHER M20	2
9	135-3023	FLAT WASHER M24	1
10	135-3036	WASHER FLAT M16	4
11	135-3038	SPRING WASHER M12	10
12	135-3040	WASHER FLAT M20	2
13	139-1036	M12 x 1.5 THREAD WHEEL NUT	10
14	161-0100	UNI-HUB 4, 35mm BEARING HUB	2
15	408-3001	251 & 401 CARRIER MOUNT	1
16	408-3004	251 & 401 SWIVEL PIN	1
17	408-3006	401 DOUBLE DISC ARM	1
18	408-4001	DISC 16" 10 NOTCH	1
19	408-4002	DISC 16" PLAIN	1
20	408-4007	251 & 401 SPRING STEM LOCATOR TOP	1
21	408-4008	251 & 401 CARRIER CLAMP BRACKET	1
22	408-4010	251 & 401 SPRING STEM RETAINER WASHER BOTTOM	1
23	408-4021	251 & 401 SWIVEL BAR	1
24	408-4031	401 BEARING SPACER 3mm	4
25	408-4032	401 BEARING MOUNTING BOSS	2
26	408-4033	FELT SEAL OD 54 x ID 44 x 9.5 THK	2
27	408-4034	401 DUST CAP	2
28	408-4035	251 & 401 SPRING STEM LOCATOR BOTTOM	1
29	408-4038	ROD END 25mm BALL, M24 RH FEMALE THREAD, TEFLON/STEEL, SI25ET	1
30	408-4052	BUSH ID 35 OD 39 Length 25	2
31	202-0120	M16 HEX NUT ZINC FLANGE GR 8.8	4
32*	408-4131	251 & 401 SPRING STEM TENSION BAR	1
33	408-4132	251 & 401 SPRING STEM RETAINER WASHER TOP	1
34	408-4053	251 & 401 SWIVEL BAR LOW PROFILE HEAD	1
35	408-4129	251 & 401 SPRING STEM SPACER WASHER	1
36	408-4130	251 & 401 SPRING STEM RUBBER CUSHION	1

*PART WAS REVISED, SEE PAGE 3 FOR DETAIL

AGROWFLOW COPYRIGHT RESERVED <small>THIS DRAWING IS THE PROPERTY AGROWFLOW PTY LTD, AND IS SUBJECT TO RETURN UPON DEMAND. IT IS SUBMITTED FOR USE ONLY IN CONNECTION WITH PROPOSALS OR CONTRACTS OF THIS ORGANISATION UPON THE EXSPRESS CONDITION THAT IT IS NOT TO BE USED DIRECTLY OR INDIRECTLY IN ANY WAY DETRIMENTAL TO THE INTERESTES OF AGROWFLOW PTY LTD.</small>	TITLE: 401 DOUBLE DISC UNIT	PART NUMBER 408-1001
	24-Jan-19	SHEET: 1 OF 3 PAGE:

ITEM NO.	PART NUMBER	DESCRIPTION	QTY.
1	202-0052	M10 x 25 HEX FLANGE BOLT ZINC GR 8.8	2
2	202-0050	M10 HEX NUT ZINC FLANGE GR 8.8	2
3	408-3007	401 SECOND SEED TUBE	1



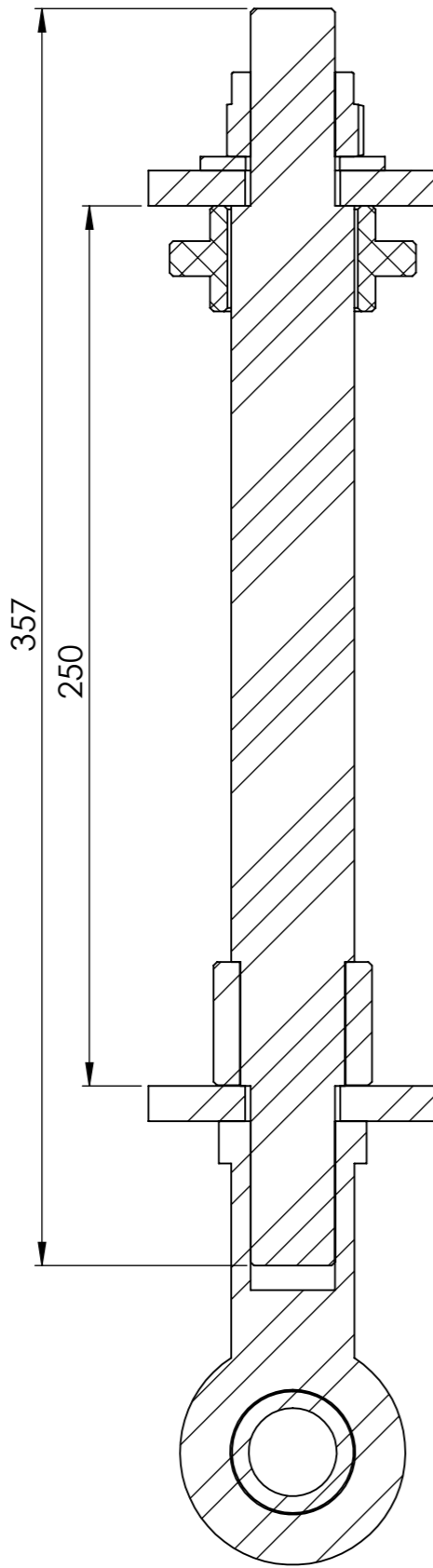
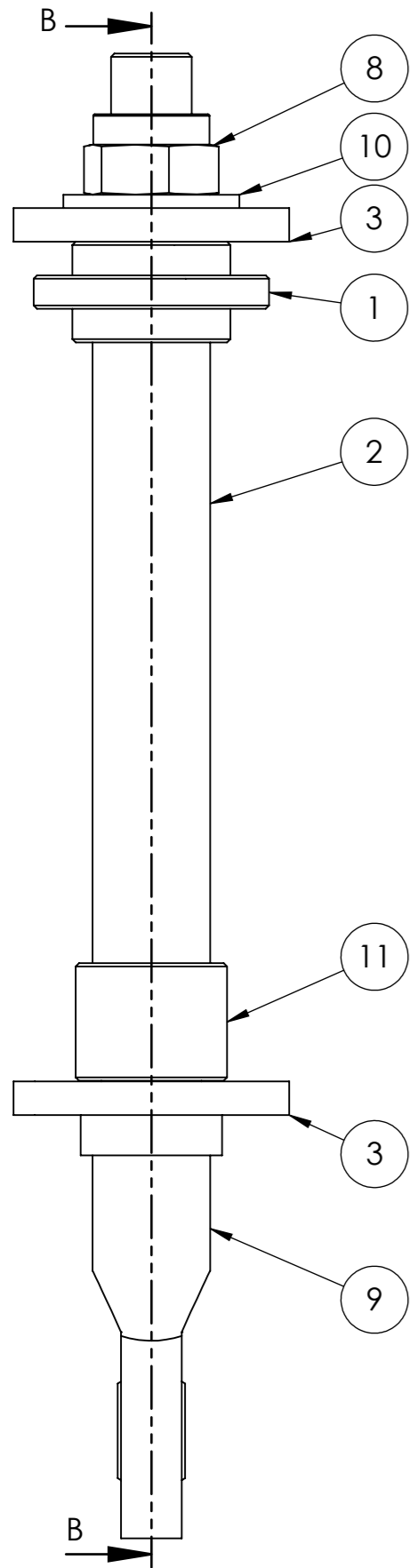
NOTE:
 SECOND SEED TUBE OPTION, TIGHT SIDE BOLT AND V BOLT SOLD SEPARATLY
 SECOND SEED TUBE IS NOT SUITABLE FOR ALL SEED DRILL MODELS

AGROWFLOW
 COPYRIGHT RESERVED
 THIS DRAWING IS THE PROPERTY AGROWFLOW PTY LTD, AND IS SUBJECT TO RETURN UPON DEMAND. IT IS SUBMITTED FOR USE ONLY IN CONNECTION WITH PROPOSALS OR CONTRACTS OF THIS ORGANISATION UPON THE EXPRESS CONDITION THAT IT IS NOT TO BE USED DIRECTLY OR INDIRECTLY IN ANY WAY DETRIMENTAL TO THE INTERESTES OF AGROWFLOW PTY LTD.

TITLE:
401 DOUBLE DISC UNIT
 24-Jan-19

PART NUMBER
408-1001
 SHEET: PAGE:
 2 OF 3

OBSOLETE ASSEMBLY



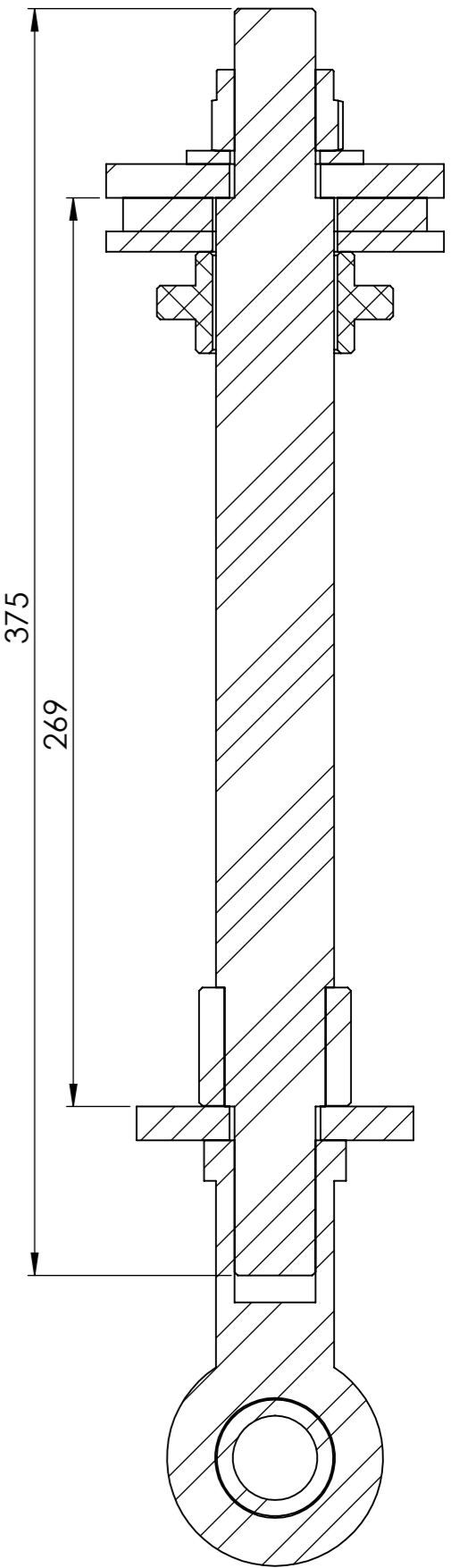
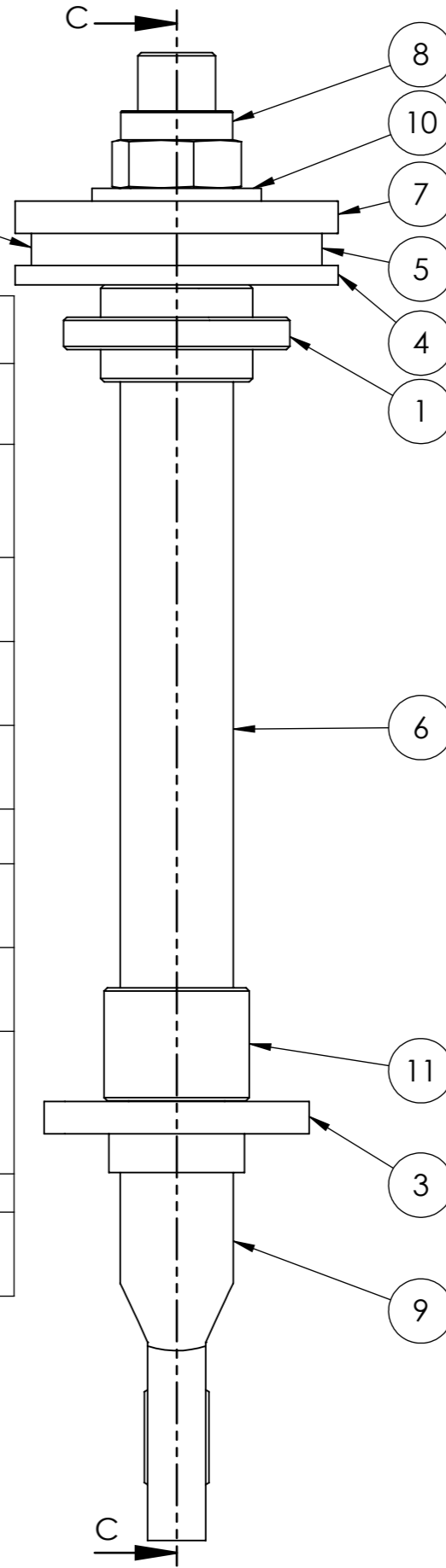
SECTION B-B

THE SPRING STEM ASSEMBLY WAS UPDATED TO INCLUDE A RUBBER SHOCK ADSORBER

ITEM NO.	PART NUMBER	DESCRIPTION	QTY OBSOLETE	QTY LATEST
1	408-4007	251 & 401 SPRING STEM LOCATOR TOP	1	1
2	408-4009	251 & 401 SPRING STEM TENSION BAR EARLY PRODUCTION ONLY	1	-
3	408-4010	251 & 401 SPRING STEM RETAINER WASHER BOTTOM	2	1
4	408-4129	251 & 401 SPRING STEM SPACER WASHER	-	1
5	408-4130	251 & 401 SPRING STEM RUBBER CUSHION	-	1
6	408-4131	251 & 401 SPRING STEM TENSION BAR	-	1
7	408-4132	251 & 401 SPRING STEM RETAINER WASHER TOP	-	1
8	134-4042	M24 HEX NYLOCK NUT GR 8.8 ZINC PLATED	1	1
9	408-4038	ROD END 25mm BALL, M24 RH FEMALE THREAD, TEFLON/STEEL, SI25ET	1	1
10	135-3023	FLAT WASHER M24	1	1
11	408-4035	251 & 401 SPRING STEM LOCATOR BOTTOM	1	1

NOTE: PART 408-4009 - ITEM ② IS OBSOLETE. REPLACE IT BY BUILDING THE NEW ASSEMBLY INCLUDING:
 408-4131 NEW SPRING TENSION BAR
 408-4130 RUBBER SHOCK ADSORBER
 408-4132 RETAINER WASHER TOP
 408-4129 SPACER WASHER

NEW ASSEMBLY



SECTION C-C

SERIAL NUMBERS
 AD130-16-18
 AD130-18-18
 AD083-02-18
 AD083-03-18

AGROWFLOW
 COPYRIGHT RESERVED
 THIS DRAWING IS THE PROPERTY AGROWFLOW PTY LTD, AND IS SUBJECT TO RETURN UPON DEMAND. IT IS SUBMITTED FOR USE ONLY IN CONNECTION WITH PROPOSALS OR CONTRACTS OF THIS ORGANISATION UPON THE EXPRESS CONDITION THAT IT IS NOT TO BE USED DIRECTLY OR INDIRECTLY IN ANY WAY DETRIMENTAL TO THE INTERESTES OF AGROWFLOW PTY LTD.

TITLE: **401 DOUBLE DISC UNIT**
 LAST PRINTED 24-Jan-19

PART NUMBER **408-1001**
 SHEET: 3 OF 3 PAGE: