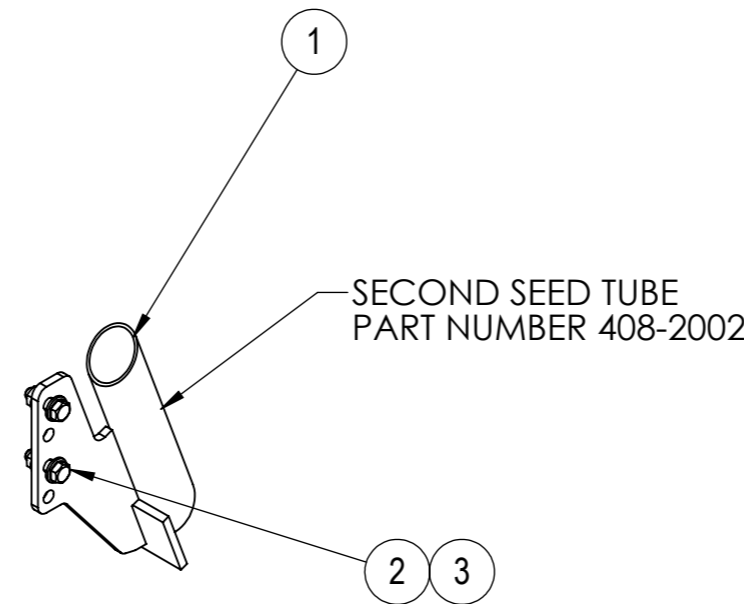
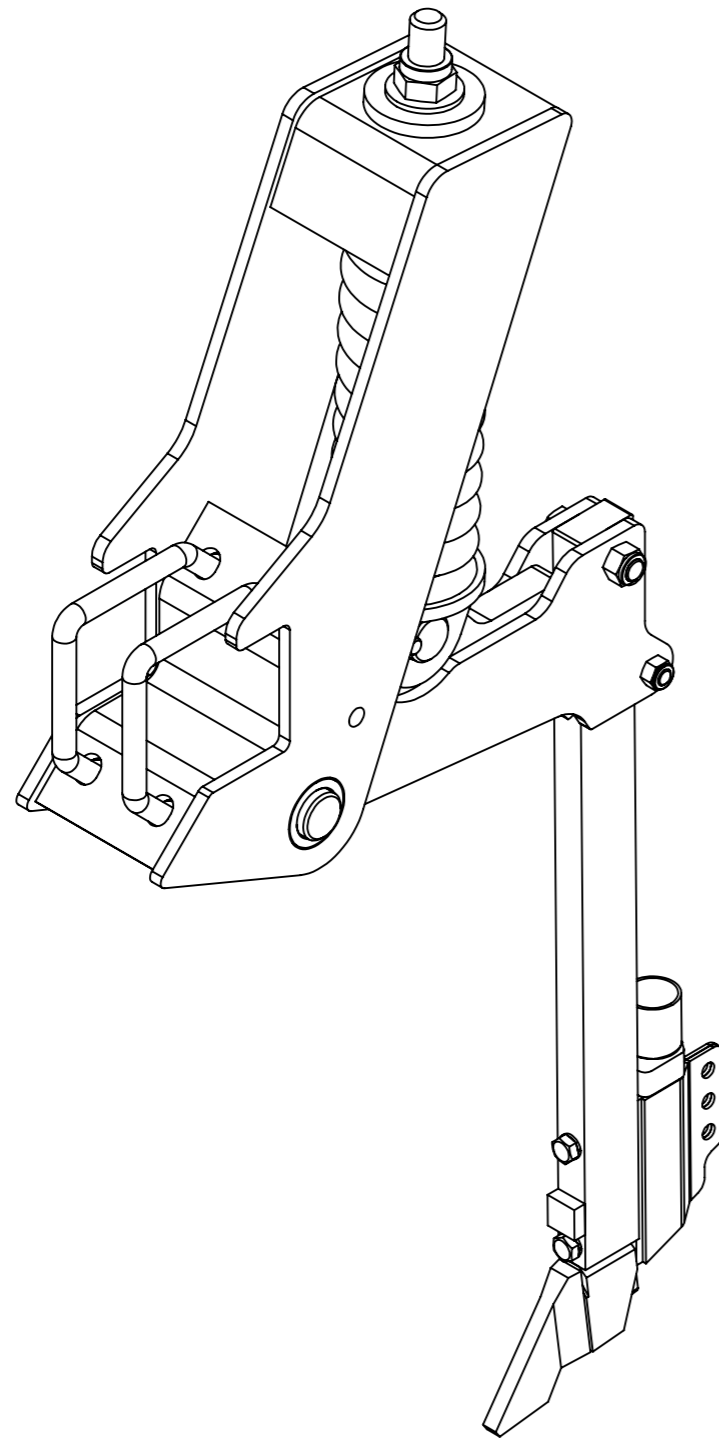


ITEM NO.	PART NUMBER	DESCRIPTION	QTY
1	006-4015	BUSH ID 35, OD 39, Length 36	2
2	130-4042	V BOLT M16 100 x 100	2
3	133-4041	M10 x 60 HEX BOLT ZINC GR8.8	2
4	133-4087	M16 x 65 HEX BOLT ZINC GR8.8	1
5	133-4134	M12 x 40 HEX FLANGE BOLT ZINC GR 8.8	1
6	133-4135	M12 x 60 HEX FLANGE BOLT ZINC GR 8.8	1
7	134-0056	SPRING WASHER M10	2
8	134-4016	M12 HEX NYLOCK NUT ZINC PLATED GR 8.8	3
9	134-4023	M16 HEX NYLOCK NUT ZINC PLATED GR 8.8	1
10	134-4042	M24 HEX NYLOCK NUT GR 8.8 ZINC PLATED	1
11	135-3012	WASHER FLAT M12	3
12	135-3023	FLAT WASHER M24	1
13	135-3036	WASHER FLAT M16	1
14	202-0081	M12 x 80 HEX BOLT ZINC GR8.8	1
15	202-0120	M16 HEX NUT ZINC FLANGE GR 8.8	4
16	409-3001	SHANK HOLDER	1
17	409-3002	SHANK SWIVEL PIN	1
18	409-3003	SPRING GUIDE	1
19	409-3004	SPRING SWIVEL PIN	1
20	409-3005	SPRING HOLDER	1
21	409-3006	551 SHANK	1
22	409-3008	SINGLE SEED TUBE	1
23	409-4001	NYLON SLEEVE	1
24	409-4003	10mm WASHER FOR SPRING TYNE	1
25	409-4004	SPRING ROCKER PLATE	1
26	409-4006	DEEP NARROW KNIFE POINT	1
27	409-4010	SPRING	1
28	452-2062	BUSH ID 35, OD 39, Length 20	1

AGROWFLOW <small>COPYRIGHT RESERVED</small> <small>THIS DRAWING IS THE PROPERTY AGROWFLOW PTY LTD, AND IS SUBJECT TO RETURN UPON DEMAND. IT IS SUBMITTED FOR USE ONLY IN CONNECTION WITH PROPOSALS OR CONTRACTS OF THIS ORGANISATION UPON THE EXPRESS CONDITION THAT IT IS NOT TO BE USED DIRECTLY OR INDIRECTLY IN ANY WAY DETRIMENTAL TO THE INTERESTS OF AGROWFLOW PTY LTD.</small>	TITLE: 551 SPRING RELEASE TYNE	PART NUMBER 409-1001
	<small>LAST PRINTED 26-Jul-18</small>	<small>TOTAL MASS 54.26 Kg</small>

ITEM NO.	PART NUMBER	DESCRIPTION	QTY
1	408-3008	251 SECOND SEED TUBE	1
2	133-4128	M8 x 25 HEX FLANGE BOLT ZINC GR 8.8	2
3	134-4101	M8 HEX NUT ZINC FLANGE GR 8.8	2



NOTE:
 ASSEMBLY DOES NOT INCLUDED BUT IS ASSOCIATED WITH:
 DOULBE SEED CUP (SUITS DOUBLE GATE HOUSING): 113-3120
 BARFLO 38mm ID : 219-4010
 HOSE CLAMP : 155-1006

AGROWFLOW <small>COPYRIGHT RESERVED</small> <small>THIS DRAWING IS THE PROPERTY AGROWFLOW PTY LTD, AND IS SUBJECT TO RETURN UPON DEMAND. IT IS SUBMITTED FOR USE ONLY IN CONNECTION WITH PROPOSALS OR CONTRACTS OF THIS ORGANISATION UPON THE EXSPRESS CONDITION THAT IT IS NOT TO BE USED DIRECTLY OR INDIRECTLY IN ANY WAY DETRIMENTAL TO THE INTERESTES OF AGROWFLOW PTY LTD.</small>	TITLE: 551 SPRING RELEASE TYNE	PART NUMBER 409-1001
	<small>LAST PRINTED 26-Jul-18</small>	<small>SHEET: PAGE:</small> 2 OF 2