

---

# INCLUSION PLATES SPARE PARTS

---

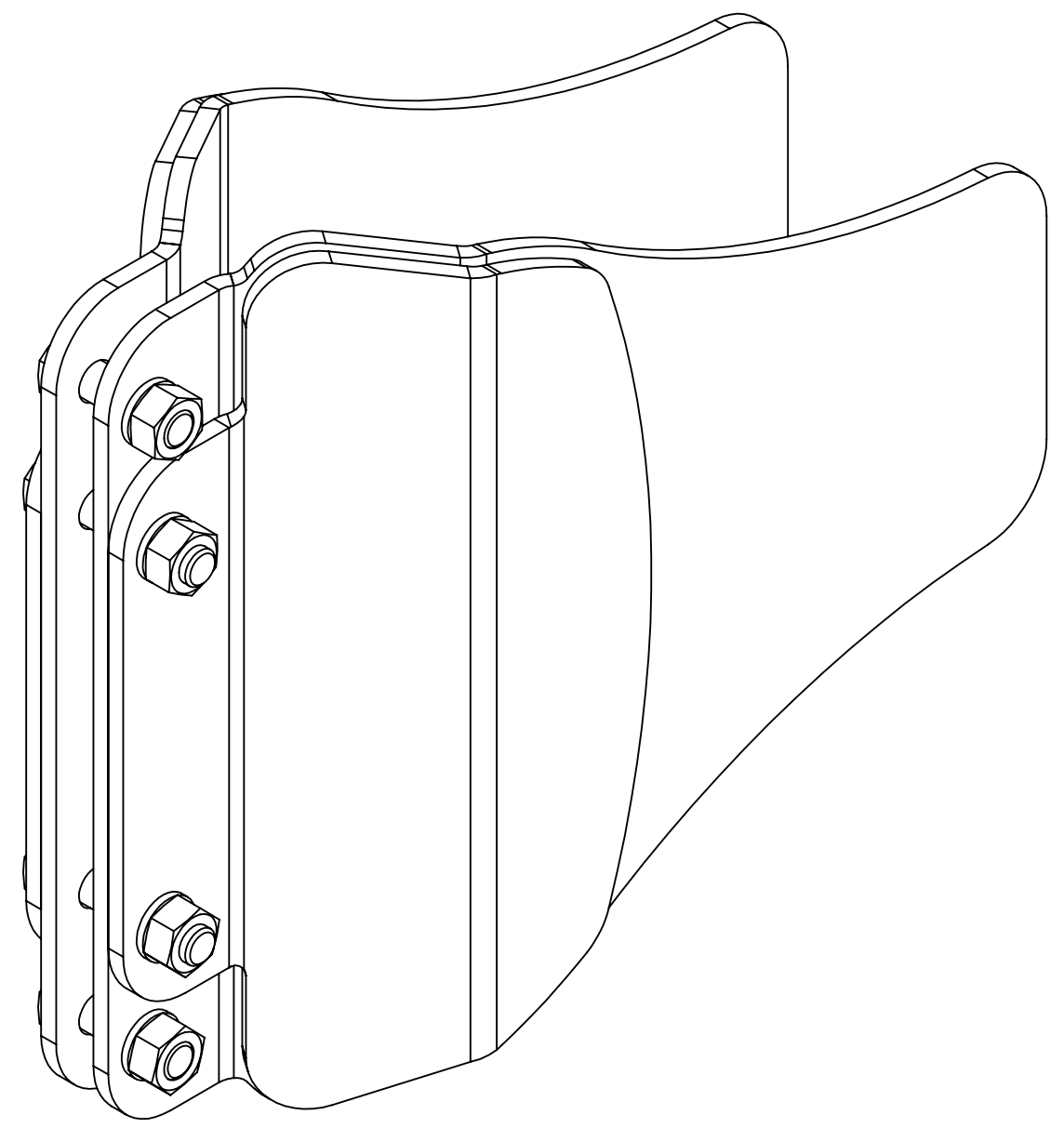
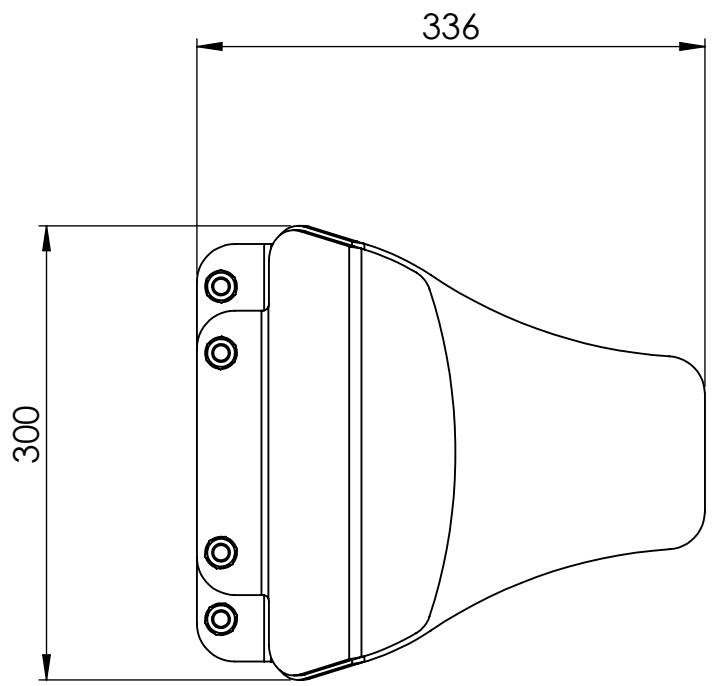
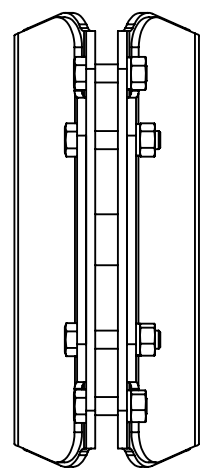
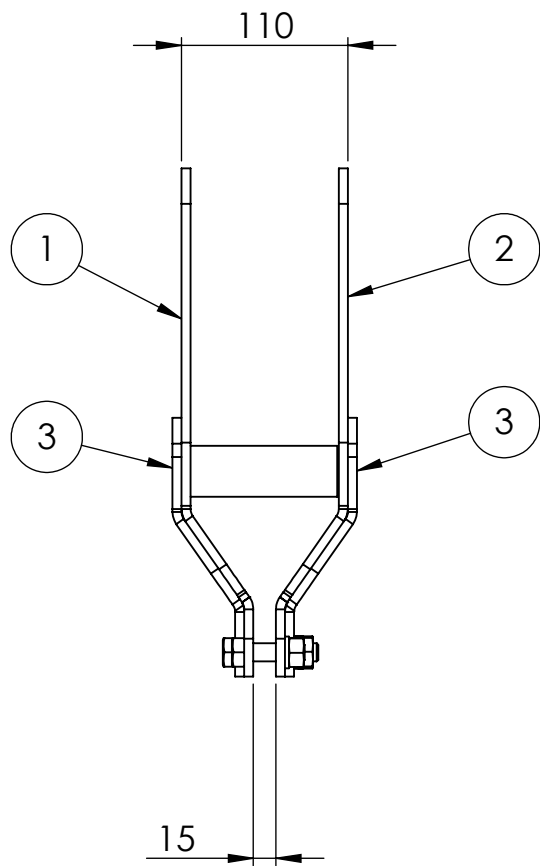
## Table of Contents

Option	Description	PAGE
• 023-2001	INCLUSION PLATES, DEEP x 110	2
• 023-2002	INCLUSION PLATES, DEEP x 160	3
• 023-2003	INCLUSION PLATES, SHALLOW x 110	4
• 023-2004	INCLUSION PLATES, SHALLOW x 160	5

Inclusion plates come in 110mm wide or 160mm wide assemblies and have shallow or deep penetration. Inclusion plates are fitted with wear plates. Wear plates can be easily replaced saving huge cost in material and time. Designed for the #9 shank and may suit any shank of any brand that has 22mm hole spacing's. Built from a highly wear resistant material. Comes standard with M12 bolts, washers and nuts.

Inclusion plates will affect tractor draft requirements and recoil action. If attached to a non-standard plough (not an Agrowplow #9 Shank), plates may clash with other components during recoil. Limitations may apply to placing 160 wide and/or deep inclusion plates on shanks in the front row of a plough, check shank clearance during recoil for suitability.

ITEM NO.	PART NUMBER	DESCRIPTION	QTY.
1	023-3001	INCLUSION PLATES, DEEP, 110, WELDED	1
2	023-4001	INCLUSION PLATE, DEEP, 110	1
3	023-4005	INCLUSION PLATE, DEEP, 110, WEAR PLATE	2
4	133-4123	M12 x 40 HEX BOLT ZINC	2
5	133-4125	M12 x 55 HEX BOLT ZINC	2
6	134-4017	M12 HEX NUT ZINC PLATED	4
7	135-3038	SPRING WASHER M12	4

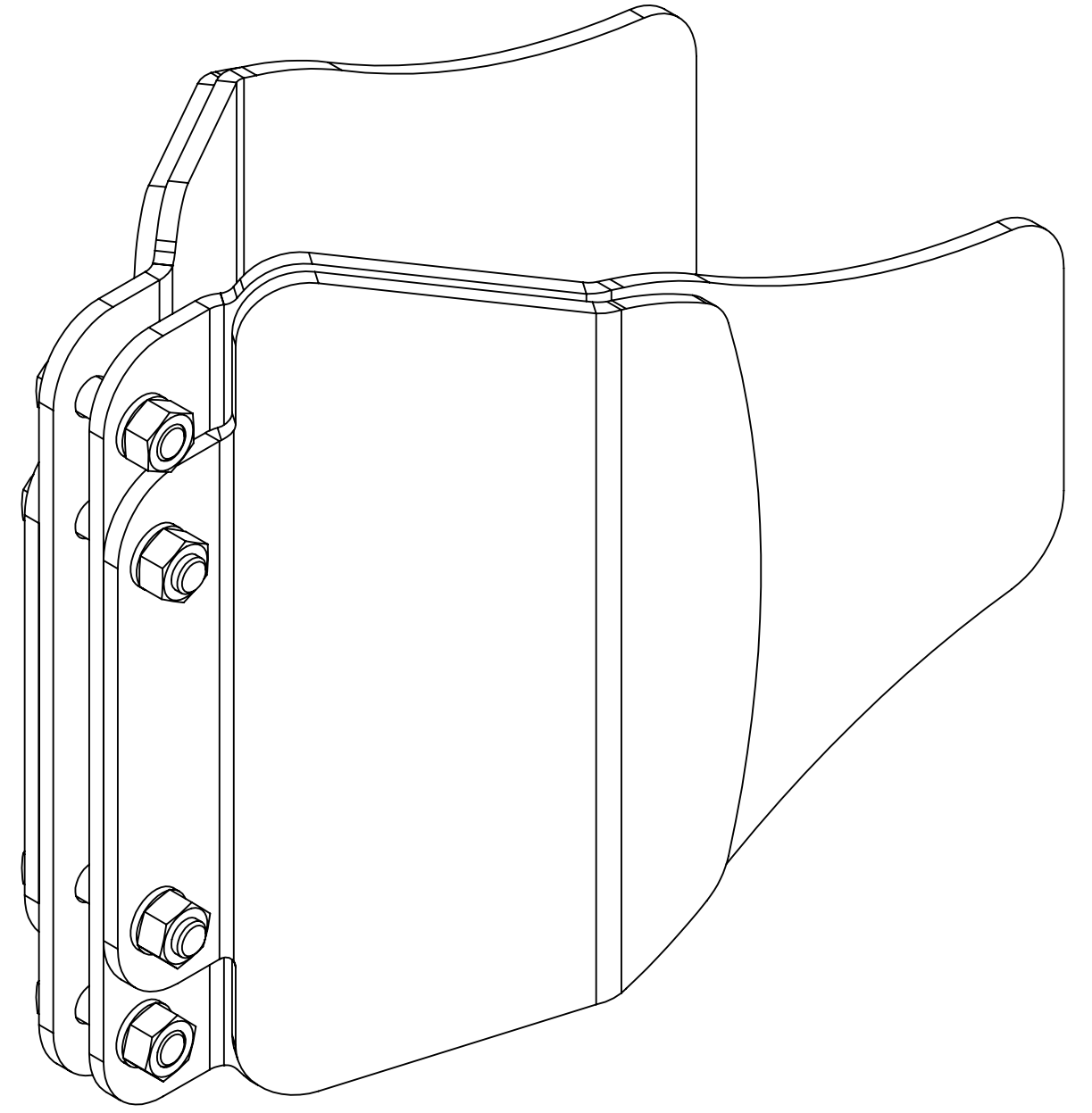
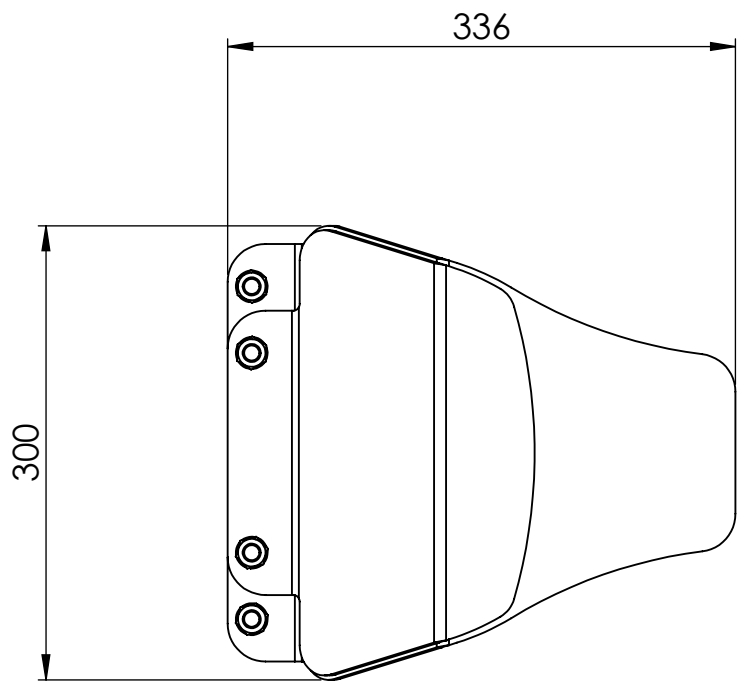
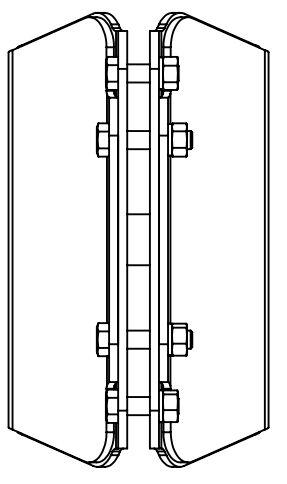
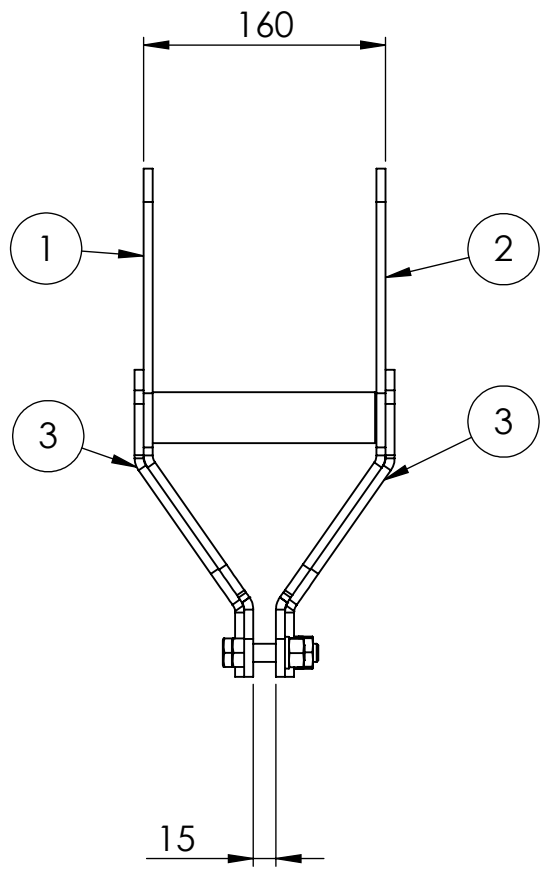


**AGROWFLOW**  
 COPYRIGHT RESERVED  
 THIS DRAWING IS THE PROPERTY AGROWFLOW PTY LTD, AND IS SUBJECT TO RETURN UPON DEMAND. IT IS SUBMITTED FOR USE ONLY IN CONNECTION WITH PROPOSALS OR CONTRACTS OF THIS ORGANISATION UPON THE EXPRESS CONDITION THAT IT IS NOT TO BE USED DIRECTLY OR INDIRECTLY IN ANY WAY DETRIMENTAL TO THE INTERESTES OF AGROWFLOW PTY LTD.

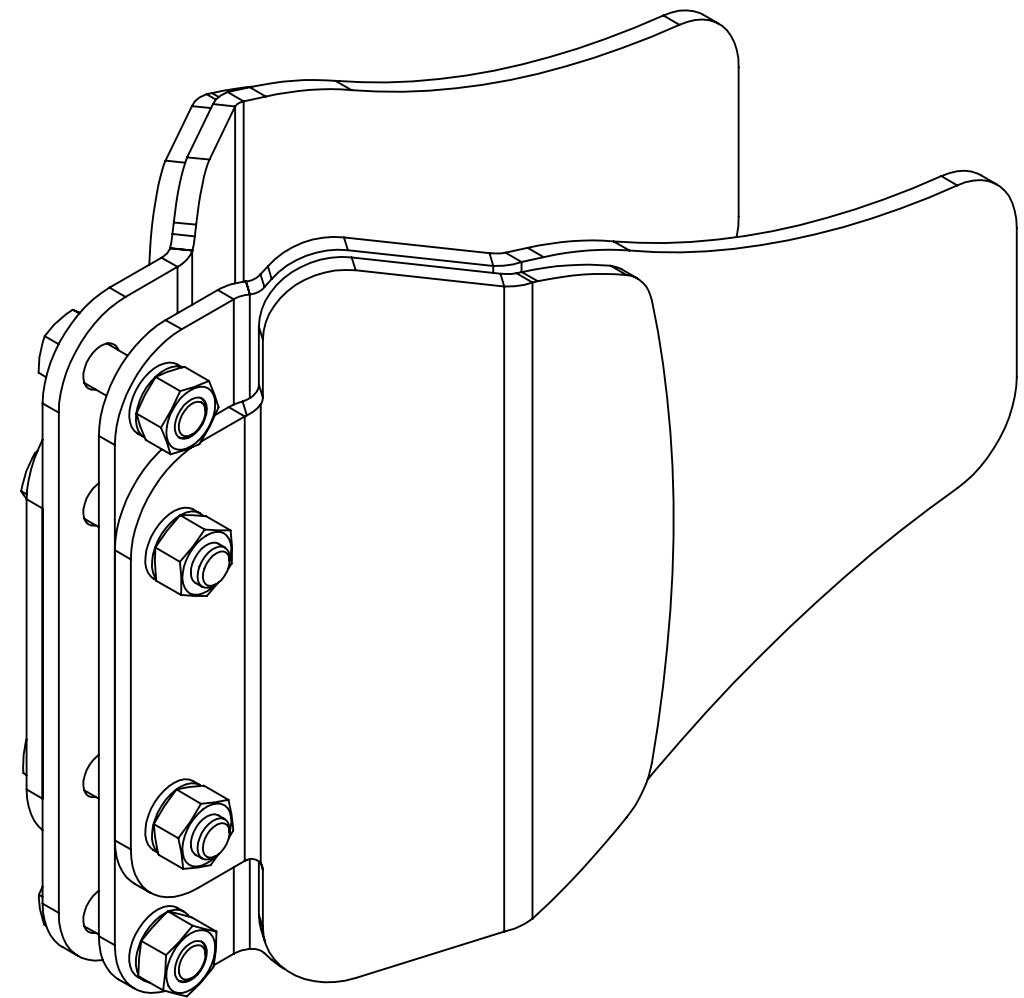
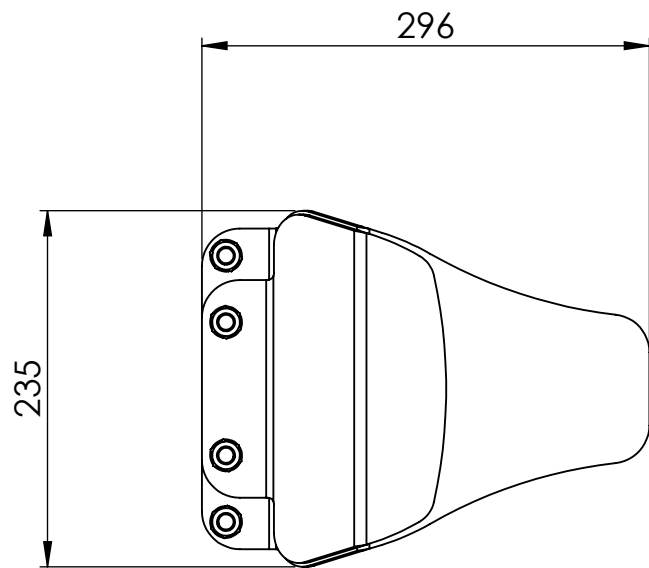
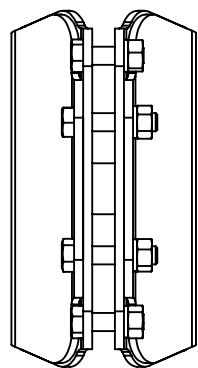
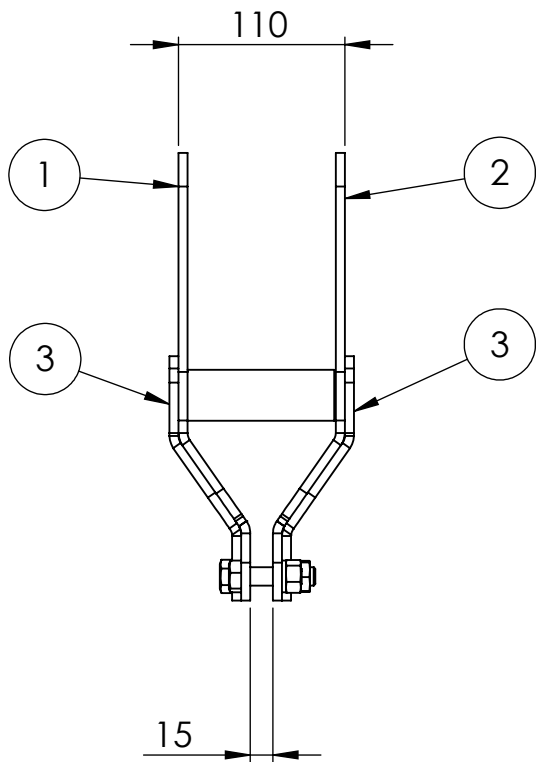
TITLE: **INCLUSION PLATES, DEEP x 110**

PART NUMBER **023-2001**  
 SHEET: SHEET 1 OF 1  
 24-Oct-16

ITEM NO.	PART NUMBER	DESCRIPTION	QTY.
1	023-3002	INCLUSION PLATE, DEEP, 160, WELDED	1
2	023-4002	INCLUSION PLATE, DEEP, 160	1
3	023-4006	INCLUSION PLATE, DEEP, 160, WEAR	2
4	133-4123	M12 x 40 HEX BOLT ZINC	2
5	133-4125	M12 x 55 HEX BOLT ZINC	2
6	134-4017	M12 HEX NUT ZINC PLATED	4
7	135-3038	SPRING WASHER M12	4



ITEM NO.	PART NUMBER	DESCRIPTION	QTY.
1	023-3003	INCLUSION PLATE, SHALLOW, 110, WELDED	1
2	023-4003	INCLUSION PLATE, SHALLOW, 110	1
3	023-4007	INCLUSION PLATE, DEEP, 110, WEAR	2
4	133-4123	M12 x 40 HEX BOLT ZINC	2
5	133-4125	M12 x 55 HEX BOLT ZINC	2
6	134-4017	M12 HEX NUT ZINC PLATED	4
7	135-3038	SPRING WASHER M12	4



ITEM NO.	PART NUMBER	DESCRIPTION	QTY.
1	023-3004	INCLUSION PLATE, SHALLOW, 160, WELDED	1
2	023-4004	INCLUSION PLATE, SHALLOW, 160	1
3	023-4008	INCLUSION PLATE, SHALLOW, 160, WEAR	2
4	133-4123	M12 x 40 HEX BOLT ZINC	2
5	133-4125	M12 x 55 HEX BOLT ZINC	2
6	134-4017	M12 HEX NUT ZINC PLATED	4
7	135-3038	SPRING WASHER M12	4

