

455-4500  
MK3 FLEXIROLLER, 4500 Working Width  
with ROAD KIT including HYDRAULIC LIFT

### FLEXIROLLER MK3 RANGE

Code	Working Width	Trailing / Wheels	Hitch option
455-4500	4500	Trailing only	Hitch Stem 4.5-6.0m
455-5000	5000	Trailing only	Hitch Stem 4.5-6.0m
455-5500	5500	Trailing only	Hitch Stem 4.5-6.0m
455-6000	6000	Trailing only	Hitch Stem 4.5-6.0m
455-6500	6500	Trailing only	Hitch Stem 6.5-7.5m
455-7000	7000	Trailing only	Hitch Stem 6.5-7.5m
455-7500	7500	Trailing only	Hitch Stem 6.5-7.5m
455-###1	All	12" Flexiroller rings	
455-###2	All	14" Flexiroller Rinns	
455-###3	All	Spiked Roller	
455-###4	All	Drum Roller	
455-###5	All	Rubber Tyre Roller	
455-0001	All	Road Kit, Wheels and Hyd Lift	

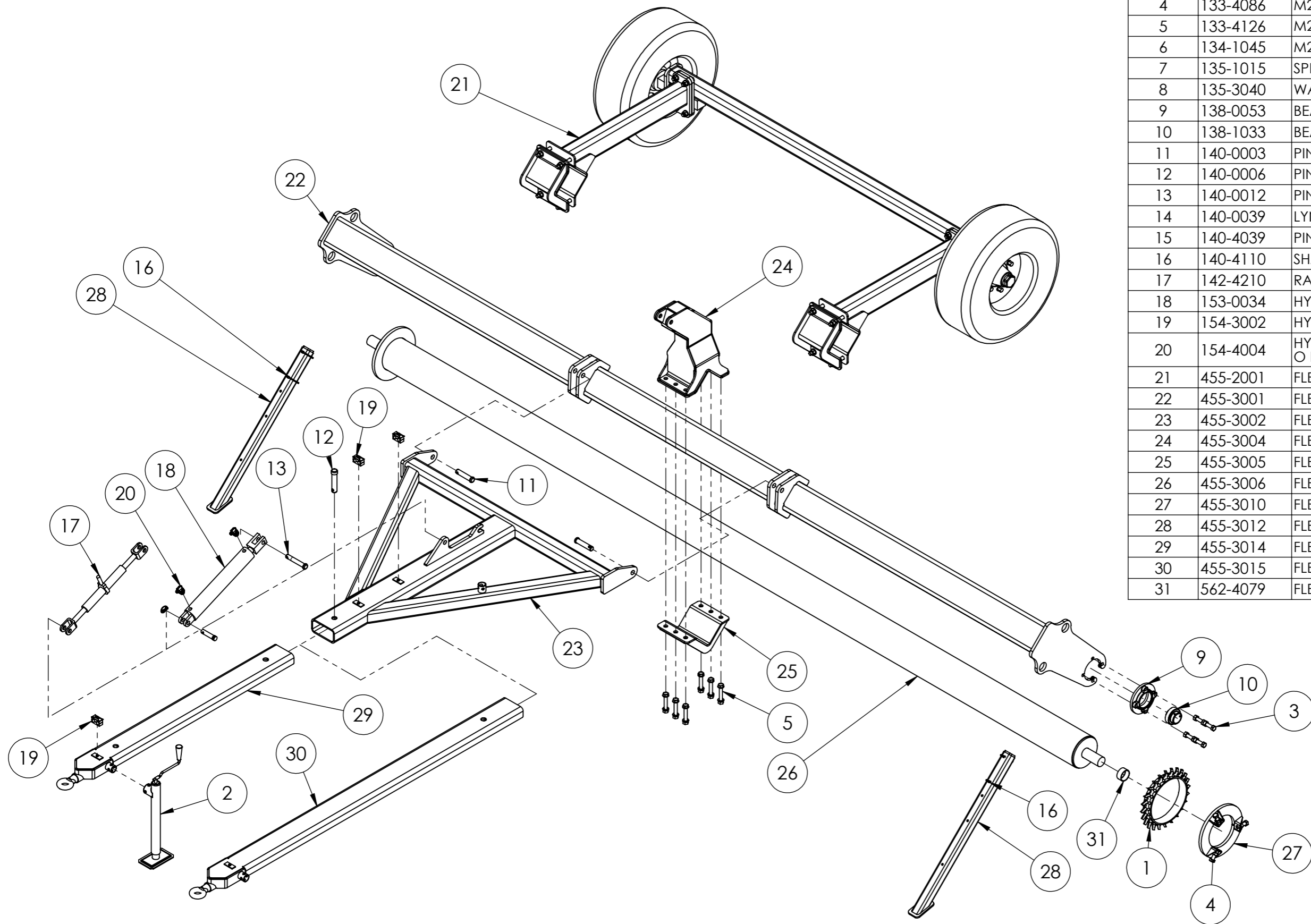
ITEM NO.	PART NUMBER	DESCRIPTION	Working Width/QTY.							Trailing only/QTY.
			4500	5000	5500	6000	6500	7000	7500	
1	093-3001	FLEXIROLLER RING	72	80	88	96	104	112	120	1
2	112-0001	JACKSTAND 1.5T ROUND	1	1	1	1	1	1	1	1
6	138-0053	BEARING HOUSING ID120 SPHERICAL	2	2	2	2	2	2	2	2
7	138-1033	BEARING ID65 OD120 SPHERICAL	2	2	2	2	2	2	2	2
8	140-0003	PIN CLEVIS 1 1/18" 105mm CAT2 LOWER	2	2	2	2	2	2	2	2
10	140-0012	PIN CLEVIS 1 1/18" 136mm CAT2 LOWER	1	1	1	1	1	1	1	1
14	142-4210	RATCHET RAM 514-717mm	-	-	-	-	-	-	-	1
15	153-0034	HYD CYLINDER 3.00" x 16"	1	1	1	1	1	1	1	-
16	154-3002	HYD CLAMP DIA 22	3	3	3	3	3	3	3	-
17	154-4004	HYD FITTING ELBOW 3/4" JIC MALE, 1 1/16" UN O RING MALE	2	2	2	2	2	2	2	-
18	455-2001	FLEXIROLLER ROADKIT REAR WHEELS	1	1	1	1	1	1	1	-
19	455-3001	FLEXIROLLER CARRIER BAR	1	1	1	1	1	1	1	1
20	455-3002	FLEXIROLLER HITCH	1	1	1	1	1	1	1	1
21	455-3004	FLEXIROLLER TOWER	1	1	1	1	1	1	1	1
22	455-3005	FLEXIROLLER TOWER CLAMP	1	1	1	1	1	1	1	1
23	455-3006	FLEXIROLLER ROTOR	1	1	1	1	1	1	1	1
24	455-3010	FLEXIROLLER RETAINING RING	1	1	1	1	1	1	1	1
25	455-3012	FLEXIROLLER TRAVEL STAND	2	2	2	2	2	2	2	2
26	455-3014	FLEXIROLLER HITCH STEM suits 4.5-6.0m	1	1	1	1	-	-	-	1
27	455-3015	FLEXIROLLER HITCH STEM suits 6.5-7.5m	-	-	-	-	1	1	1	-
28	562-4079	FLEXIROLLER ROTOR BUSH	2	2	2	2	2	2	2	2

HARDWARE AND PINS REMOVED FOR CLARITY  
SEE NEXT PAGE FOR FULL BREAKDOWN

### ROAD KIT HYDRAULIC HOSES 3/8" DUAL WEAVE FITTED WITH 3/4" JIC FEMALE CONNECTORS

HOSE	Machine Working Width 4.5m-6.0m	Machine Working Width 6.5m-7.5m
Tractor to Top of Cylinder	4550	5300
Tractor to Bottom of Cylinder	4020	4770

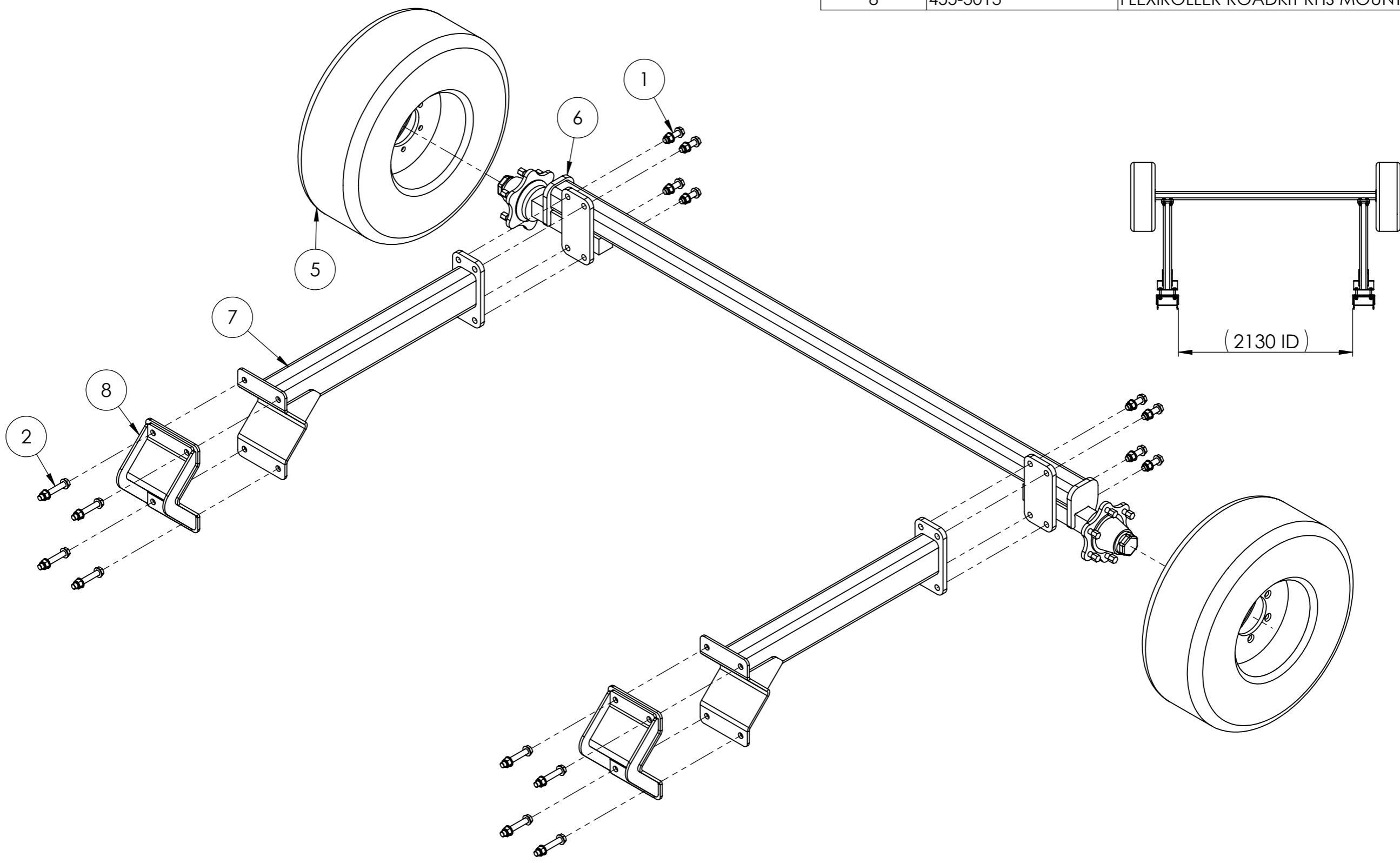
<b>AGROWFLOW</b> <small>COPYRIGHT RESERVED          THIS DRAWING IS THE PROPERTY AGROWFLOW PTY LTD, AND IS SUBJECT TO RETURN UPON DEMAND. IT IS SUBMITTED FOR USE ONLY IN CONNECTION WITH PROPOSALS OR CONTRACTS OF THIS ORGANISATION UPON THE EXPRESS CONDITION THAT IT IS NOT TO BE USED DIRECTLY OR INDIRECTLY IN ANY WAY DETRIMENTAL TO THE INTERESTES OF AGROWFLOW PTY LTD.</small>	<b>TITLE:</b> <b>FLEXIROLLER MK2 HD</b>	<b>PART NUMBER</b> <b>455-1000</b>
	20-Oct-16	



ITEM NO.	PART NUMBER	DESCRIPTION
1	093-3001	FLEXIROLLER RING
2	112-0001	JACKSTAND 1.5t ROUND
3	133-4073	M20 x 75 HEX BOLT ZINC
4	133-4086	M20 x 65 HEX BOLT ZINC
5	133-4126	M20 x 130 HEX BOLT ZINC
6	134-1045	M20 HEX NUT ZINC PLATED
7	135-1015	SPRING WASHER M20
8	135-3040	WASHER FLAT M20
9	138-0053	BEARING HOUSING ID120 SPHERICAL
10	138-1033	BEARING ID65 OD120 SPHERICAL
11	140-0003	PIN CLEVIS 1 1/8" 105mm CAT2 LOWER
12	140-0006	PIN CLEVIS 1 1/4" 115mm CYLINDER
13	140-0012	PIN CLEVIS 1 1/8" 136mm CAT2 LOWER
14	140-0039	LYNCH PIN 11mm 32mm
15	140-4039	PIN CLEVIS 1" 76mm CAT2
16	140-4110	SHAFT LOCKING PIN 12x80mm
17	142-4210	RATCHET RAM 514-717mm
18	153-0034	HYD CYLINDER 3.00" x 16"
19	154-3002	HYD CLAMP DIA 22
20	154-4004	HYD FITTING ELBOW 3/4" JIC MALE, 1 1/16" UN O RING MALE
21	455-2001	FLEXIROLLER ROADKIT REAR WHEELS
22	455-3001	FLEXIROLLER CARRIER BAR
23	455-3002	FLEXIROLLER HITCH
24	455-3004	FLEXIROLLER TOWER
25	455-3005	FLEXIROLLER TOWER CLAMP
26	455-3006	FLEXIROLLER ROTOR
27	455-3010	FLEXIROLLER RETAINING RING
28	455-3012	FLEXIROLLER TRAVEL STAND
29	455-3014	FLEXIROLLER HITCH STEM suits 4.5-6.0m
30	455-3015	FLEXIROLLER HITCH STEM 6.5-7.5m
31	562-4079	FLEXIROLLER ROTOR BUSH

<b>AGROWFLOW</b> <small>COPYRIGHT RESERVED          THIS DRAWING IS THE PROPERTY AGROWFLOW PTY LTD, AND IS SUBJECT TO RETURN UPON DEMAND. IT IS SUBMITTED FOR USE ONLY IN CONNECTION WITH PROPOSALS OR CONTRACTS OF THIS ORGANISATION UPON THE EXPRESS CONDITION THAT IT IS NOT TO BE USED DIRECTLY OR INDIRECTLY IN ANY WAY DETRIMENTAL TO THE INTERESTS OF AGROWFLOW PTY LTD.</small>	<b>TITLE:</b> <b>FLEXIROLLER MK2 HD</b>	<b>PART NUMBER</b> <b>455-1000</b>
20-Oct-16		<b>SHEET:</b> <b>SHEET 2 OF 2</b>

ITEM NO.	PART NUMBER	DESCRIPTION	QTY.
1	133-4073	M20 x 75 HEX BOLT ZINC	8
2	133-4126	M20 x 130 HEX BOLT ZINC	8
3	134-1046	M20 HEX NYLOCK NUT ZINC PLATED	16
4	135-3040	WASHER FLAT M20	32
5	139-3125	TYRE & RIM 11.5/80-15.3 6STUD BEDFORD	2
6	455-3007	FLEXIROLLER ROADKIT AXLE	1
7	455-3011	FLEXIROLLER ROADKIT ARM	2
8	455-3013	FLEXIROLLER ROADKIT RHS MOUNT	2



**AGROWFLOW**  
 COPYRIGHT RESERVED  
 THIS DRAWING IS THE PROPERTY AGROWFLOW PTY LTD, AND IS SUBJECT TO RETURN UPON DEMAND. IT IS SUBMITTED FOR USE ONLY IN CONNECTION WITH PROPOSALS OR CONTRACTS OF THIS ORGANISATION UPON THE EXPRESS CONDITION THAT IT IS NOT TO BE USED DIRECTLY OR INDIRECTLY IN ANY WAY DETRIMENTAL TO THE INTERESTES OF AGROWFLOW PTY LTD.

TITLE:  
**FLEXIROLLER ROADKIT ASSEMBLY**

PART NUMBER  
**455-2001**

20-Oct-16

SHEET:  
 SHEET 1 OF 1