

## 425 COIL TYNE

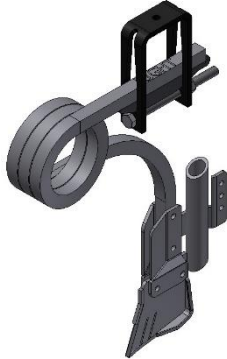
### TABLE OF CONTENTS

SEED TUBE ASSEMBLIES.....	2
425 COIL TYNE ASSEMBLY LIST .....	3
SEED TUBE OPTIONS.....	4
BAKER BOOTS .....	5

SEED TUBE ASSEMBLIES

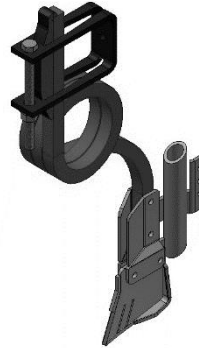
SINGLE SEED TUBE, TYNE ASSEMBLY

HORIZONTAL MOUNT



453-3001 RIGHT HAND (shown above)  
453-3003 LEFT HAND

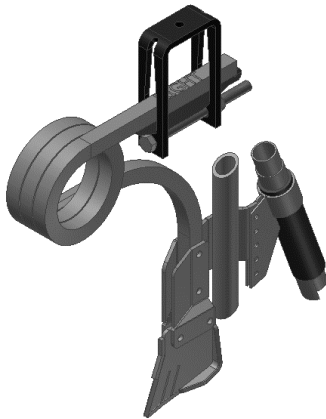
VERTICAL MOUNT



453-3013 RIGHT HAND (shown above)  
453-3004 LEFT HAND

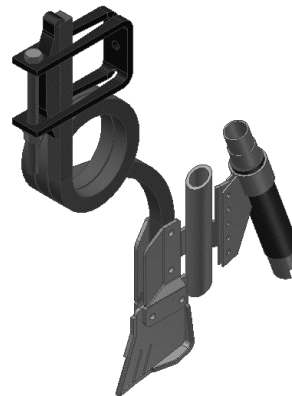
ADJUSTABLE SEED TUBE, TYNE ASSEMBLY

HORIZONTAL MOUNT



453-3009 RIGHT HAND (shown above)  
453-3011 LEFT HAND

VERTICAL MOUNT



453-3010 RIGHT HAND (shown above)  
453-3012 LEFT HAND

## 425 COIL TYNE ASSEMBLY LIST

### 425 SINGLE SEED TUBE, TYNE ASSEMBLY

	VERTICAL		HORIZONTAL	
	LEFT HAND	RIGHT HAND	LEFT HAND	RIGHT HAND
ASSEMBLY	453-3004	453-3013	453-3003	453-3001
SEED TUBE	453-4020		453-4023	
COIL TYNE	453-4016	453-4015	453-4002	453-4001
SEED CUP SINGLE OUTLET 38mm	113-3112			

### 425 ADJUSTABLE SEED TUBE, TYNE ASSEMBLY

	VERTICAL		HORIZONTAL	
	LEFT HAND	RIGHT HAND	LEFT HAND	RIGHT HAND
ASSEMBLY	453-3012	453-3010	453-3011	453-3009
SEED TUBE	453-4022		453-4025	
COIL TYNE	453-4016	453-4015	453-4002	453-4001
SEED CUP DOUBLE OUTLET 38mm	113-3124			

### COMMON PARTS

DESCRIPTION	PART NUMBER	QTY
BOLT M10 x 35 G8.8 ZINC	133-1001	2
BOLT M10 x 50 G8.8 ZINC	133-4040	2
HOSE 38mm ID	219-4010	1.5m
HOSE CLAMP	155-1006	1
NUT HEX M16	134-4002	1
NUT NYLOC M10	134-0050	4
HEAVY DUTY BAKER BOOT WITH TUNGSTEN CARBIDE TILE	115-4011	1
TYNE BOLT KIT M16 x 200 + NUT & WASHER	115-4002	1
TYNE CLAMP 25mm COIL	115-3009	1
WASHER FLAT 5/8" OD	135-1036	1
WASHER SPRING 5/8" OD	135-2030	1
WEDGE	115-3010	1

### BAKER BOOT OPTIONS

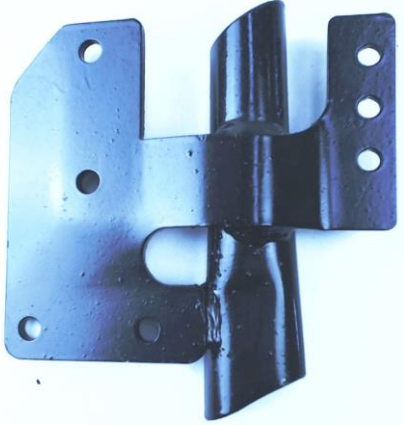
DESCRIPTION	PART NUMBER	QTY
EXTENDED BAKER BOOT (LIMITED EDITION)	115-3031	1
CAST BAKER BOOT WITH TUNGSTEN CARBIDE TILE	115-3080	1
HEAVY DUTY CAST BAKER BOOT	114-4250	1
HEAVY DUTY BAKER BOOT WITH TUNGSTEN CARBIDE (425)	115-4031	1

Note : Horizontal Tube: 27mm OA  
Vertical Tube: 21mm OA

SEED TUBE OPTIONS

SINGLE SEED TUBE

SUITS VERTICAL MOUNT TYNE ASSEMBLY  
453-4022



114-1118



2<sup>nd</sup> Seed Tube Rubber

114-3211



2<sup>nd</sup> Seed Tube Steel

114-4237



2<sup>nd</sup> Seed Tube Steel

SEED CUP



Single Seed Cup



Double Seed Cup

BAKER BOOTS

115 – 3080



Cast Baker Boot with Tungsten Carbide Tile on Leading Face

114 – 4250



Heavy Duty Cast Baker Boot

115 – 4031



Fabricated Heavy Duty Baker Boot made with Bisalloy plate, Tungsten Carbide Tile and Tungsten grit weld

115 – 3031



Extended Baker Boot (Limited Stock)