

AGROWPLOW®

Prosperity through soil care.



114-1108
732 Coil Tyne LH



114-1107
732 Coil Tyne RH

732 COIL TYNE

TABLE OF CONTENTS

732 Coil Tyne Assembly Diagram 3

732 Coil Tyne Assembly List Left And Right 4

Seed Tube Options 5

 1st Seed Tube 5

 114-4235 5

 2nd Seed Tube 5

 114-4237 5

 114-1118 5

Common Components 6

 Baker Boot 6

 114-3200 6

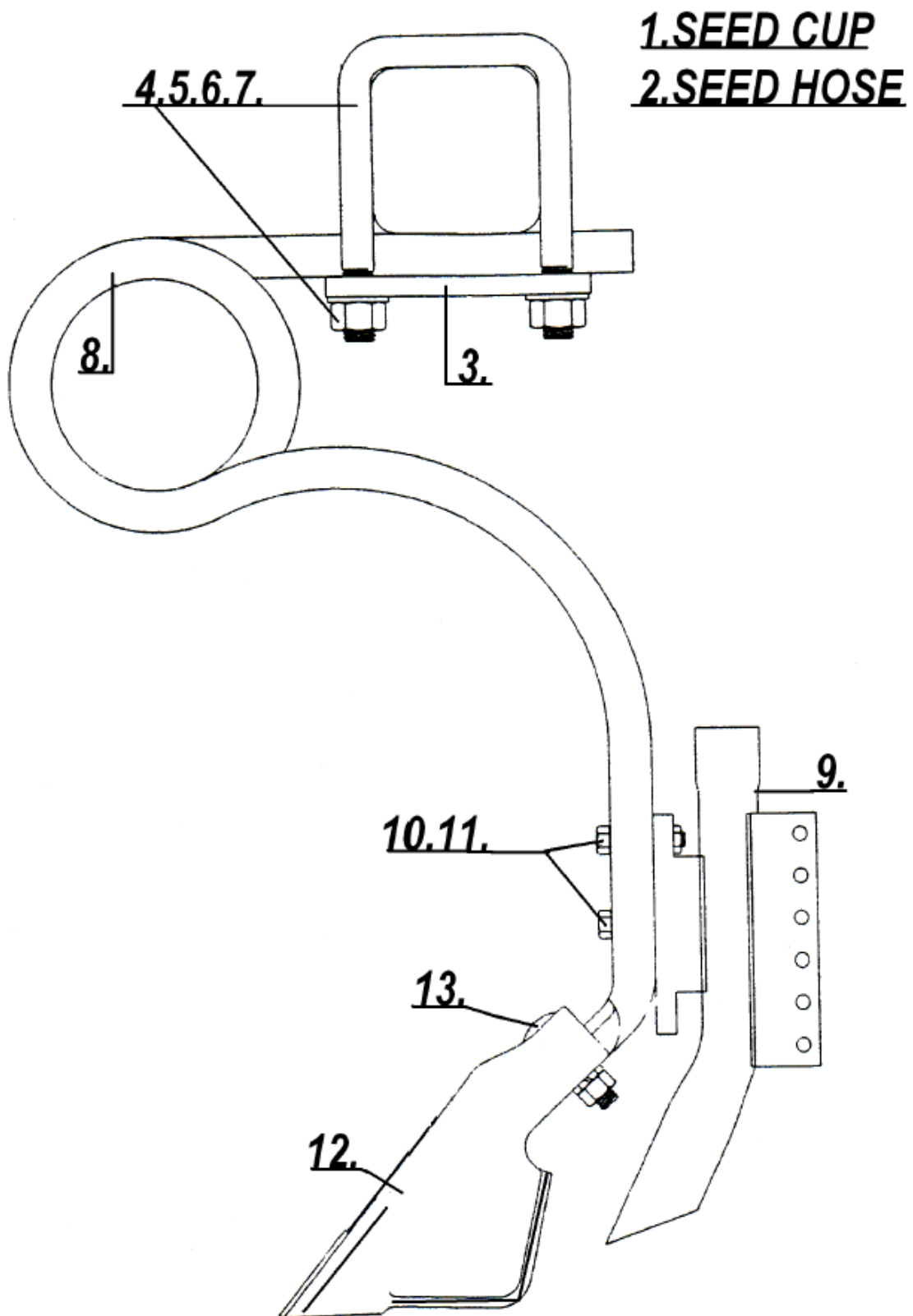
 114-3202 6

 Seed Cup 7

 113-3112 7

 113-3124 7

732 COIL TYNE ASSEMBLY DIAGRAM



732 COIL TYNE ASSEMBLY LIST LEFT AND RIGHT

ITEM #	DESCRIPTION	PART #		QTY
		LEFT HAND	RIGHT HAND	
	732 COIL TYNE ASSEMBLY			
		114-1108	114-1107	
1	SINGLE SEED CUP	113-3112	113-3112	1
2	SEED HOSE 38mm	219-4010	219-4010	2m
3	TYNE HOLDER PLATE	113-4276	113-4276	2
4	U-BOLT M20 x 100 x 195	130-4019	130-4019	2
5	FLAT WASHER	135-1010	135-1010	4
6	SPRING WASHER 20mm	135-1015	135-1015	4
7	NUT 20mm	134-1045	134-1045	4
8	732 SERIES COIL TYNE L/HAND	114-3119	-	1
8	732 SERIES COIL TYNE R/HAND	-	114-3118	1
9	1ST SEED TUBE	114-4235	114-4235	1
10	BOLT 3/8" x 1 3/4" UNC	133-1040	133-1040	2
11	SPRING WASHER 3/8"	135-0030	135-0030	2
12	AGROW 732 BAKER BOOT	114-3200	114-3200	1
13	PLOW HEAD BOLT 3" x 1/2" + NUT	133-1057	133-1057	1
OPTIONAL POINTS				
	732 PRIMARY SALES T/TIP	114-3208PS	114-3208PS	1
	732 PRIMARY SALES T/TIP+ T/WING	114-3202	114-3202	1
OPTIONAL EQUIPMENT				
	RUBBER 2ND SEED TUBE	114-1118	114-1118	1
	STEEL 2ND SEED TUBE	114-4237	114-4237	1
	BOLTS 5/16" x 1" (FOR ABOVE)	133-0045	133-0045	2
	5/16" SPRING WASHER	135-0020	135-0020	2
	NUT 5/16"	134-0020	134-0020	2
	DOUBLE SEED CUP	113-3124	113-3124	1

SEED TUBE OPTIONS

1ST SEED TUBE

114-4235



38mm

2ND SEED TUBE

114-4237



2nd Seed Tube
38mm

114-1118



2nd Seed Tube, Rubber
38mm

COMMON COMPONENTS

BAKER BOOT

114-3200



Baker Boot with Tungsten Tip and Tungsten Hard Face

114-3202



Baker Boot with Tungsten Tip and Tungsten Wings

SEED CUP

113-3112



Single Seed Cup

113-3124



Double Seed Cup