

AGROWPLOW®

Prosperity through soil care.



115-1008
Standard 325 Coil Tyne LH



115-1007
Standard 325 Coil Tyne RH

STANDARD 325 COIL TYNE

TABLE OF CONTENTS

Standard Coil Tyne Assembly Diagram 3

Standard Coil Tyne Assembly List Left And Right..... 4

Seed Tube Options 5

 1st Seed Tube 5

 114-3213 5

 2nd Seed Tube for Dual Option 5

 114-3211 5

 114-1118 5

 114-3091 6

 Double Seed Tube 6

 114-3094 6

 115-3094 6

Common Components 7

 Baker Boot..... 7

 115 – 3080..... 7

 114 – 4250..... 7

 115 – 4011..... 7

 115 – 3031..... 7

 Seed Cup 8

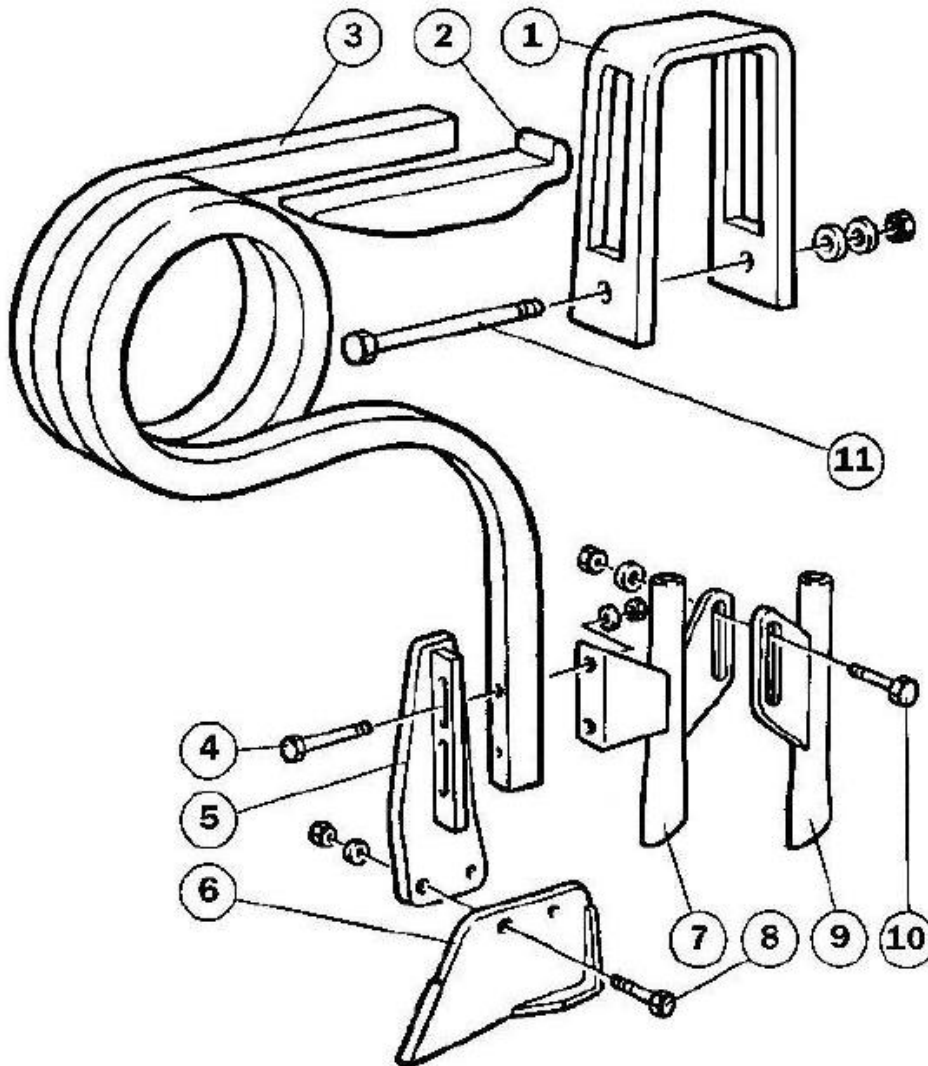
 38mm Style 8

 31.5mm Style 8

Reducer 9

 114-3114 9

Standard Coil Tyne



STANDARD COIL TYNE ASSEMBLY LIST LEFT AND RIGHT

	STANDARD COIL TYNE		LEFT	RIGHT
	ASSEMBLIES LEFT AND RIGHT		115-1008	115-1007
ITEM	DESCRIPTION	QTY	LEFT HAND	RIGHT HAND
1	COIL TYNE CLAMP	1	115-3009	
2	WEDGE	1	115-3010	
3	STANDARD COIL TYNE	1	115-1019	115-1018
4	BOLT 1/2" x 2 1/2"	2	133-1090	
4A	WASHER 1/2" SPRING	2	135-0050	
4B	NUT 1/2" UNC	2	134-0070	
5	BAKER BOOT CARRIER	1	115-4009	
6	BAKER BOOT STANDARD	1	115-4011	
7	1ST SEED TUBE 38mm	1	114-3213	
8	BOLT 3/8" X 1" UNC	2	133-0070	
8A	WASHER 3/8" SPRING	2	135-0030	
8B	NUT 3/8" UNC	2	134-0030	
9	SEE BELOW			
10	SEE BELOW			
11	TYNE CLAMP BOLT NUT & WASHER	1	115-4002	
12	SINGLE SEED CUP	1	113-3112	
13	SEED HOSE 38mm	1.	219-4010	
	DUAL SHOOT OPTIONS			
9	STEEL 2ND SEED TUBE 38mm	1	114-3211	
9A	RUBBER 2ND SEED TUBE 38mm	1	114-1118	
	DOUBLE SEED CUP	1	113-3124	
	PLUS EXTRA SEED HOSE	1.	219-4010	
10	BOLT 3/8" X 1"	2	133-0070	
10	WASHER 3/8" SPRING	2	135-0030	
10	NUT 3/8" UNC	2	134-0030	
	DOUBLE SEED TUBE			
	DOUBLE SEED TUBE 38mm	1	115-3094	
	OLD 31.5mm STYLE ITEMS			
	DOUBLE SEED TUBE 31.5mm	1	114-3094	
	SINGLE SEED CUP	1	115-1012	
	DOUBLE SEED CUP	1	115-2024	
	31mm SEED HOSE	2m	400-0008	
	1 st SEED TUBE	1	114-3213 + REDUCER 114-3114	
	2 nd SEED TUBE	1	114-3091	
	RUBBER 2 nd SEED TUBE	1	114-1118 + REDUCER 114-3114	
	STEEL 2 nd SEED TUBE	1	114-3211 + REDUCER 114-3114	
	BAKER BOOT OPTIONS			
	EXTENDED BAKER BOOT (LIMITED STOCK)	1	115-3031	
	CAST BAKER BOOT WITH TUNGSTEN CARBIDE TILE	1	115-3080	
	HEAVY DUTY CAST BAKER BOOT	1	114-4250	
	HEAVY DUTY BAKER BOOT WITH TUNGSTEN CARBIDE	1	115-4011	

SEED TUBE OPTIONS

1ST SEED TUBE

114-3213



38mm

2ND SEED TUBE FOR DUAL OPTION

114-3211



2nd Seed Tube, Steel

38mm

114-1118



2nd Seed Tube, Rubber

38mm

114-3091



31.5mm

DOUBLE SEED TUBE

114-3094



Double 31.5mm

115-3094



Double 38mm

COMMON COMPONENTS

BAKER BOOT

115 – 3080



Cast Baker Boot with Tungsten Carbide Tile on Leading Face

114 – 4250



Heavy Duty Cast Baker Boot

115 – 4011



Fabricated Heavy Duty Baker Boot with Tungsten Carbide Tile and Weld

115 – 3031



Extended Baker Boot (Limited Stock)

SEED CUP

38MM STYLE

113-3112



Single Seed Cup

113-3124



Double Seed Cup

31.5MM STYLE

115-1012



Single Seed Cup

115-2024



Double Seed Cup

REDUCER

114-3114



38mm to 31.5mm Reducer