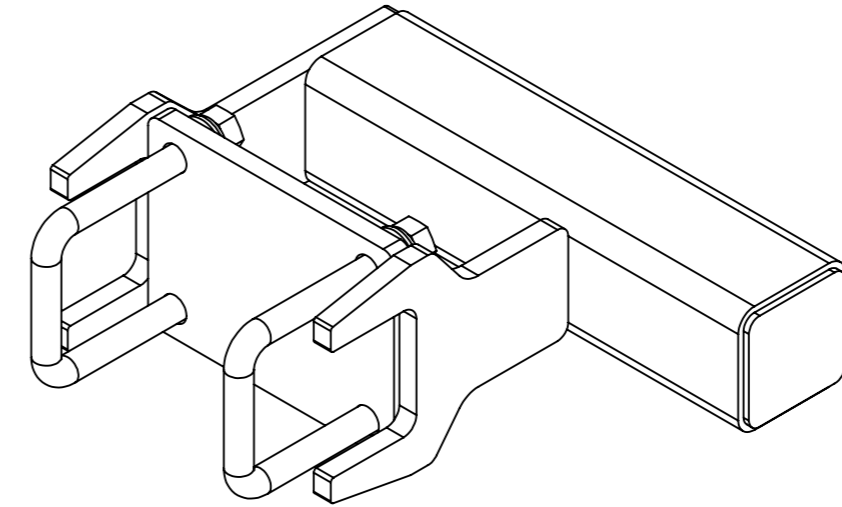
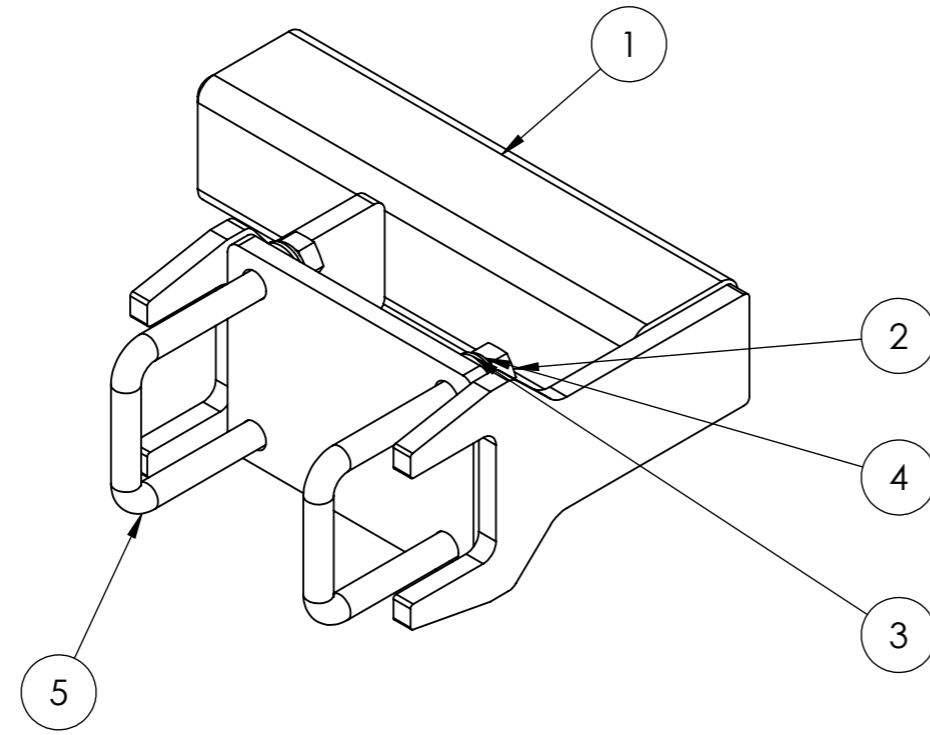


AGROWPLOW®

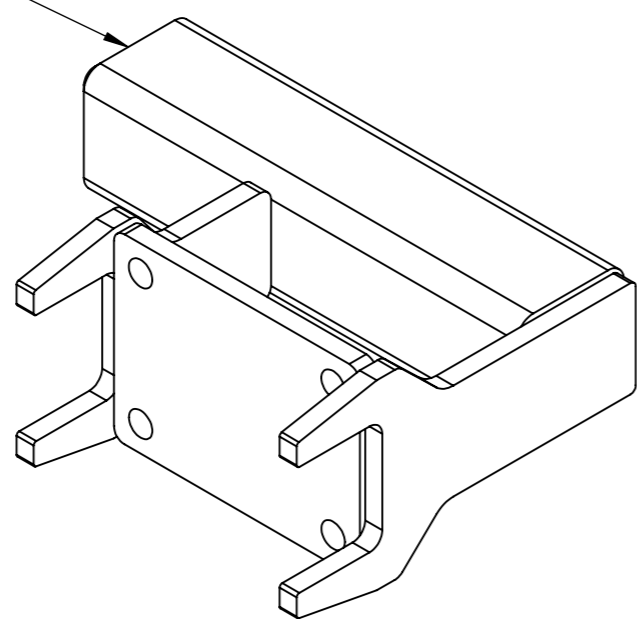
**Stub Kit Assembly
Short and Long Extension
Parts listing**

ITEM NO.	PART NUMBER	DESCRIPTION	QTY.
1	114-3158	SHORT EXTENSION STUB	2
2	134-1045	M20 HEX NUT ZINC PLATED	8
3	135-3040	WASHER FLAT M20	8
4	135-1015	SPRING WASHER M20	8
5	130-1000	U BOLT 20MM 100X100	4

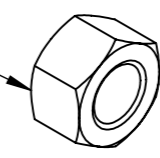


<p>AGROWFLOW</p> <p><small>COPYRIGHT RESERVED</small></p> <p><small>THIS DRAWING IS THE PROPERTY AGROWFLOW PTY LTD, AND IS SUBJECT TO RETURN UPON DEMAND. IT IS SUBMITTED FOR USE ONLY IN CONNECTION WITH PROPOSALS OR CONTRACTS OF THIS ORGANISATION UPON THE EXPRESS CONDITION THAT IT IS NOT TO BE USED DIRECTLY OR INDIRECTLY IN ANY WAY DETRIMENTAL TO THE INTERESTES OF AGROWFLOW PTY LTD.</small></p>	<p>TITLE:</p> <p>SHORT EXTENSION STUB KIT ASSEMBLY</p>	<p>PART NUMBER</p> <p>114-3150</p>
	<p>10/05/2016</p>	

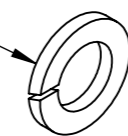
114-3158



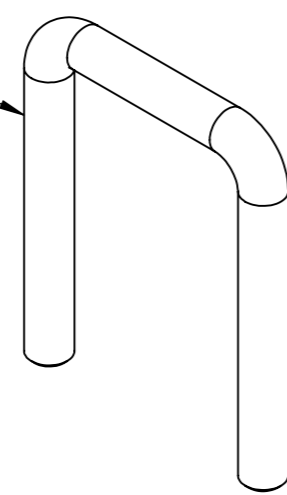
134-1045



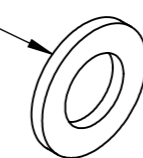
135-1015



130-1000



135-3040



AGROWFLOW

COPYRIGHT RESERVED
THIS DRAWING IS THE PROPERTY AGROWFLOW PTY LTD, AND IS SUBJECT TO RETURN UPON DEMAND. IT IS SUBMITTED FOR USE ONLY IN CONNECTION WITH PROPOSALS OR CONTRACTS OF THIS ORGANISATION UPON THE EXPRESS CONDITION THAT IT IS NOT TO BE USED DIRECTLY OR INDIRECTLY IN ANY WAY DETRIMENTAL TO THE INTERESTES OF AGROWFLOW PTY LTD.

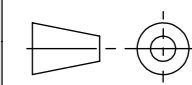
TITLE:

**SHORT EXTENSION
STUB KIT ASSEMBLY**

PART NUMBER

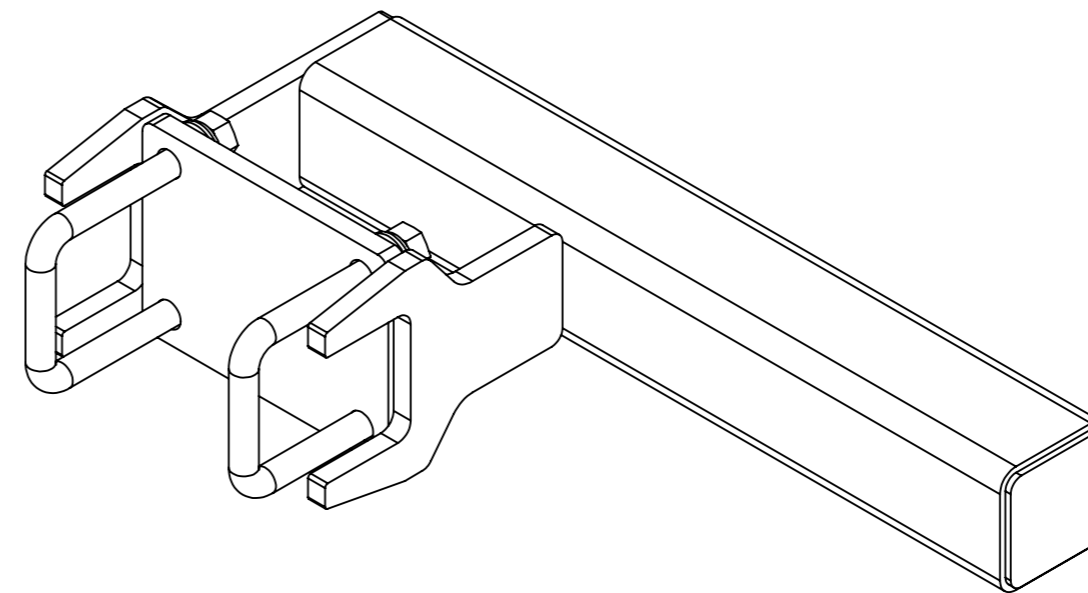
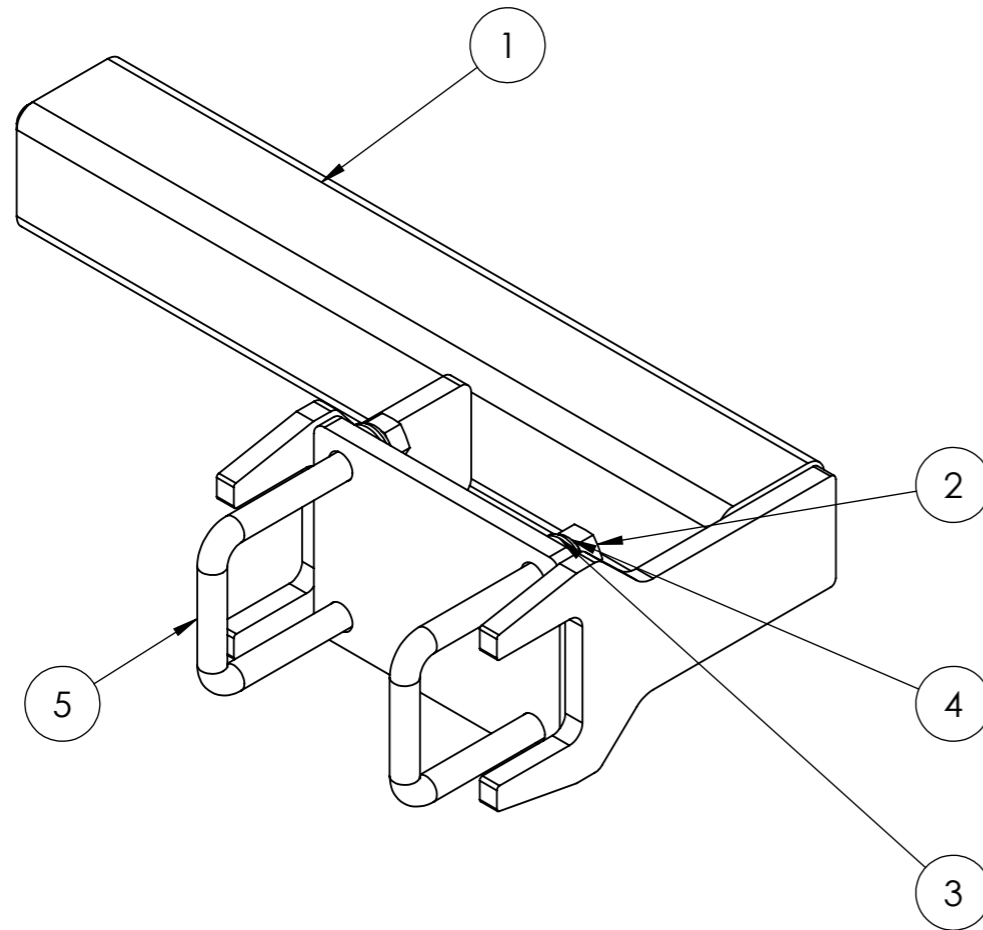
114-3150

10/05/2016



SHEET:
SHEET 2 OF 2

ITEM NO.	PART NUMBER	DESCRIPTION	QTY.
1	114-3040	LONG EXTENSION STUB	2
2	134-1045	M20 HEX NUT ZINC PLATED	8
3	135-3040	WASHER FLAT M20	8
4	135-1015	SPRING WASHER M20	8
5	130-1000	U BOLT 20MM 100X100	4

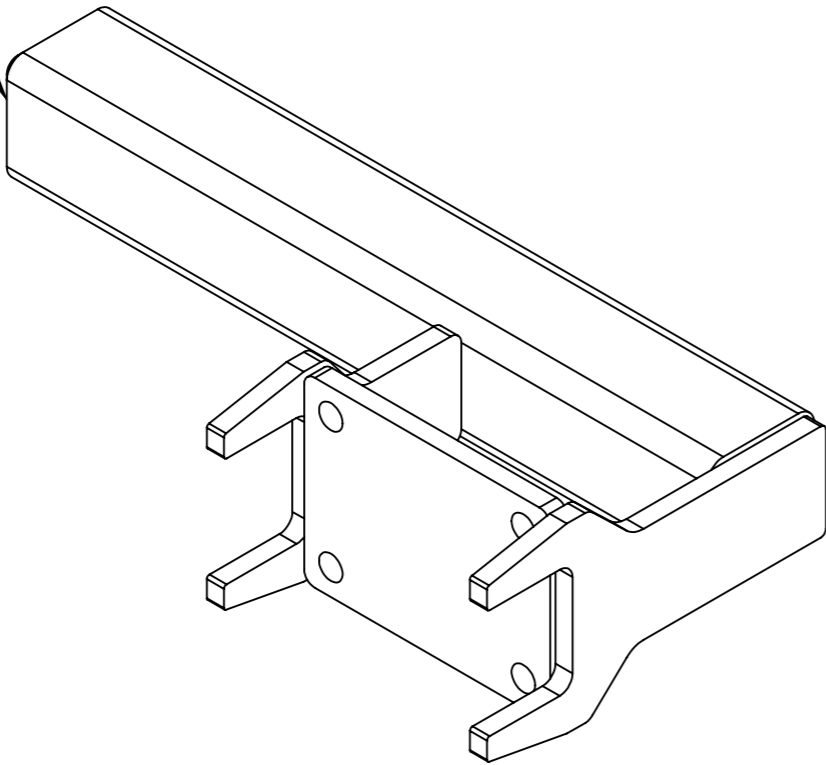


AGROWFLOW
 COPYRIGHT RESERVED
 THIS DRAWING IS THE PROPERTY AGROWFLOW PTY LTD, AND IS SUBJECT TO RETURN UPON DEMAND. IT IS SUBMITTED FOR USE ONLY IN CONNECTION WITH PROPOSALS OR CONTRACTS OF THIS ORGANISATION UPON THE EXPRESS CONDITION THAT IT IS NOT TO BE USED DIRECTLY OR INDIRECTLY IN ANY WAY DETRIMENTAL TO THE INTERESTES OF AGROWFLOW PTY LTD.

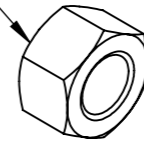
TITLE: **LONG EXTENSION STUB KIT**
 10/05/2016

PART NUMBER **114-3034**
 SHEET: SHEET 1 OF 2

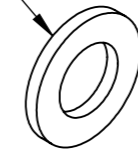
114-3040



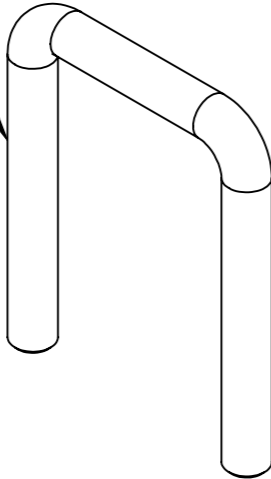
134-1045



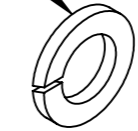
135-3040



130-1000



135-1015



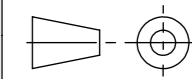
AGROWFLOW

COPYRIGHT RESERVED
THIS DRAWING IS THE PROPERTY AGROWFLOW PTY LTD, AND IS SUBJECT TO RETURN UPON DEMAND. IT IS SUBMITTED FOR USE ONLY IN CONNECTION WITH PROPOSALS OR CONTRACTS OF THIS ORGANISATION UPON THE EXPRESS CONDITION THAT IT IS NOT TO BE USED DIRECTLY OR INDIRECTLY IN ANY WAY DETRIMENTAL TO THE INTERESTES OF AGROWFLOW PTY LTD.

TITLE: **LONG EXTENSION STUB KIT**

PART NUMBER **114-3034**

10/05/2016



SHEET: **SHEET 2 OF 2**