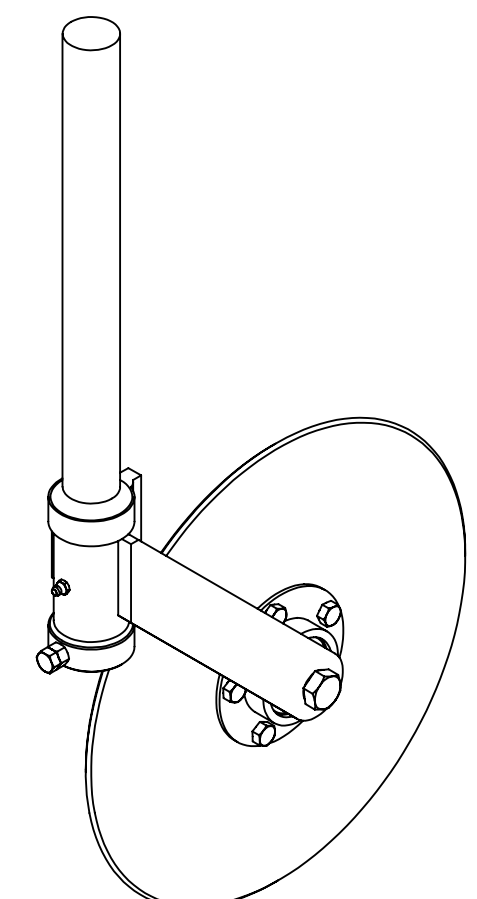
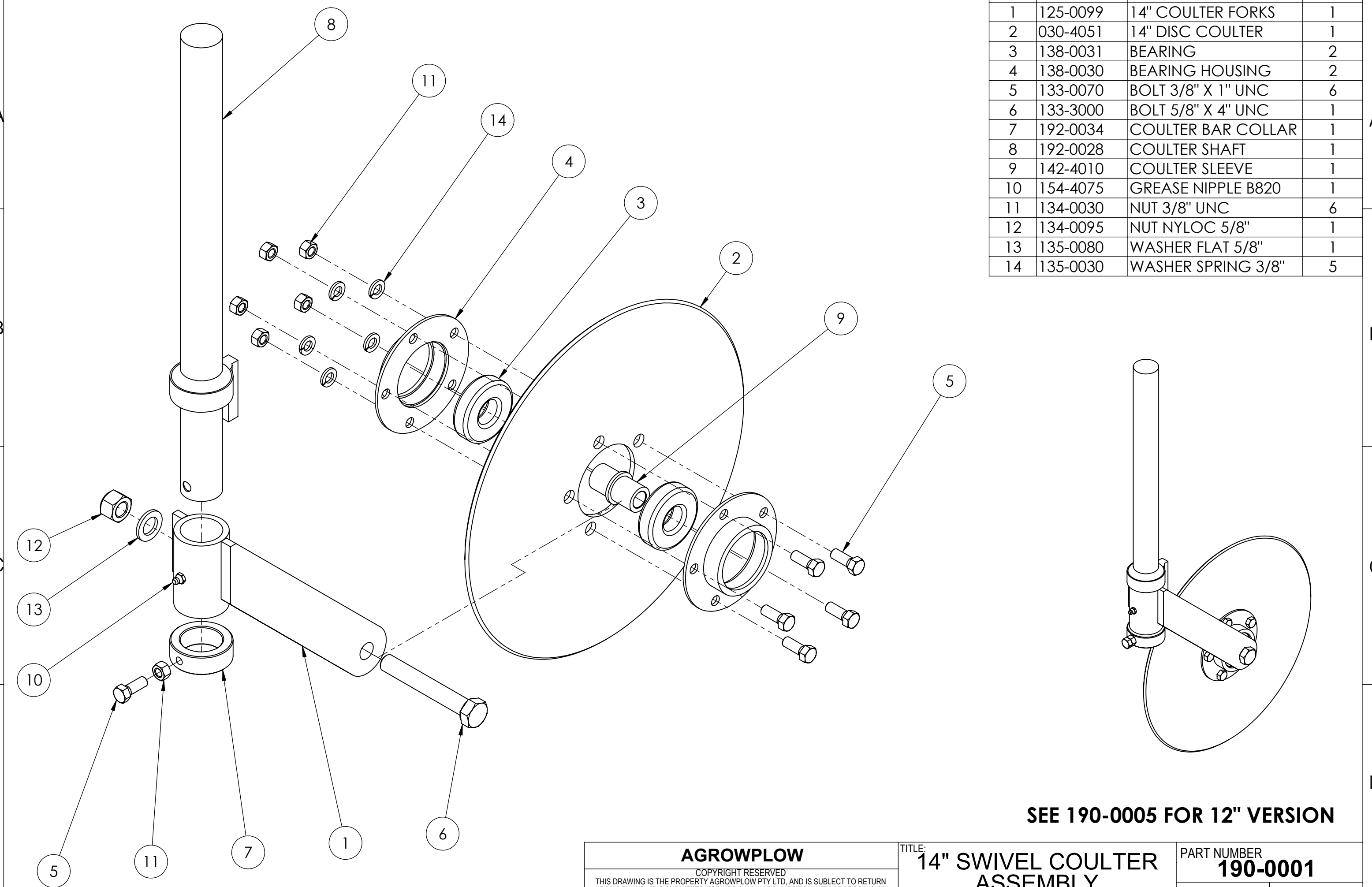
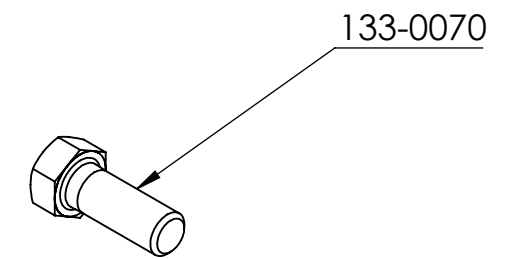
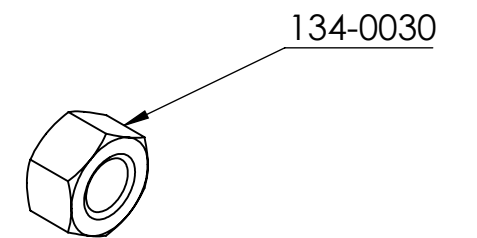
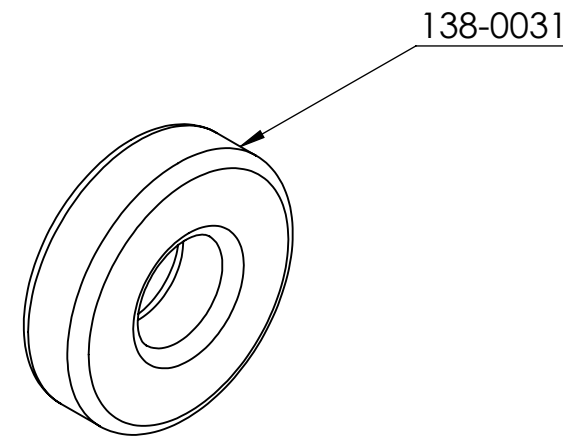
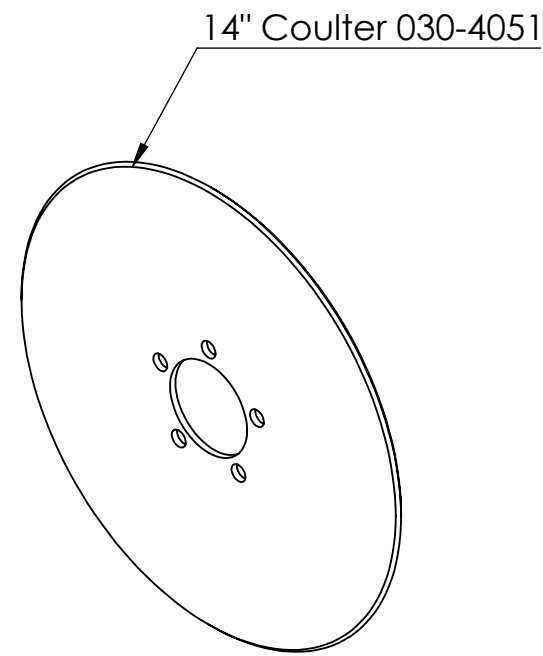
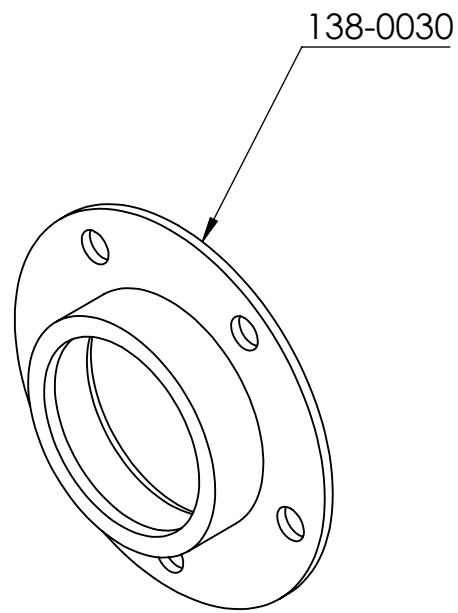
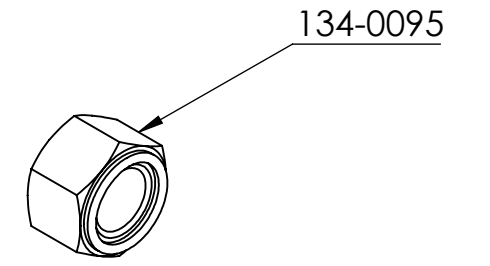
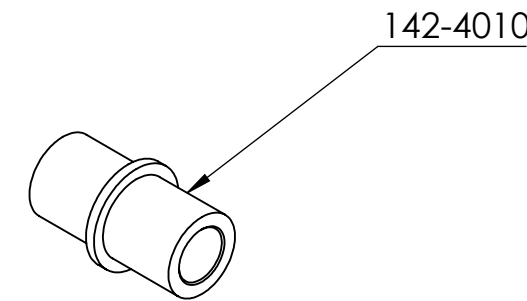
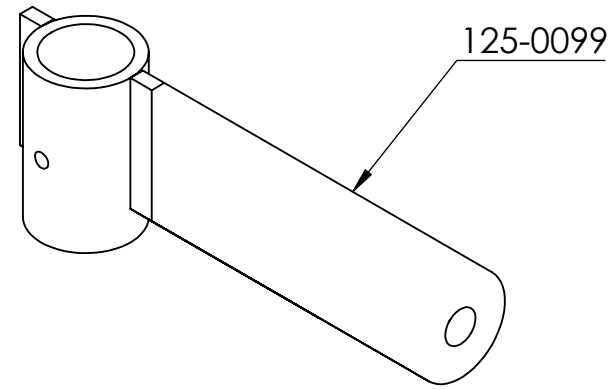
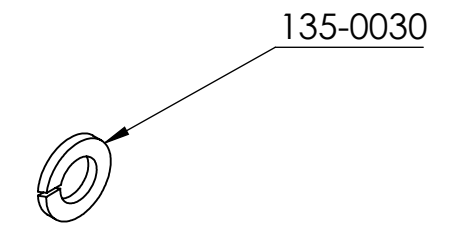
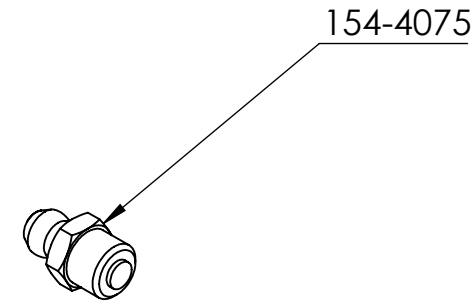
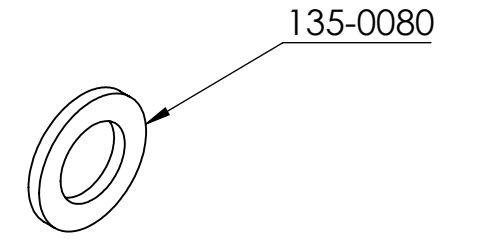
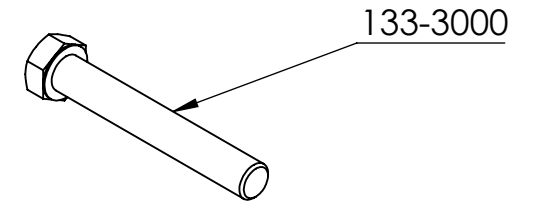
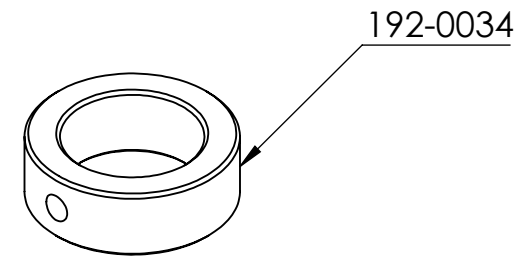
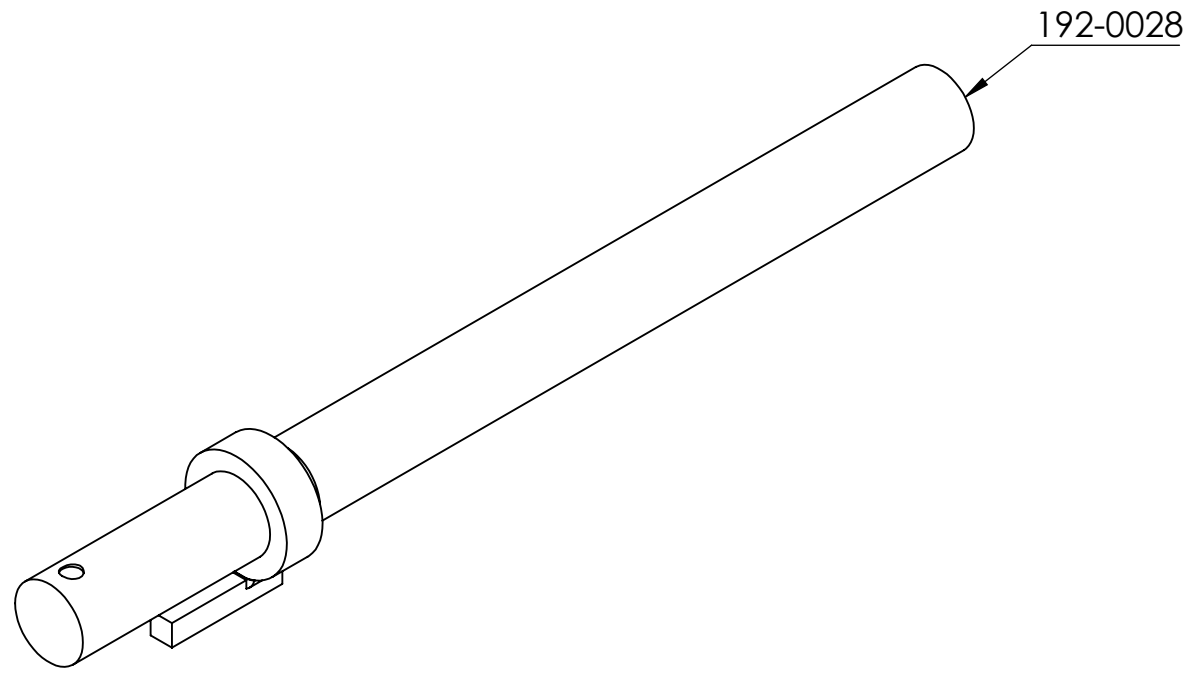


ITEM NO.	PART NUMBER	DESCRIPTION	QTY.
1	125-0099	14" COULTER FORKS	1
2	030-4051	14" DISC COULTER	1
3	138-0031	BEARING	2
4	138-0030	BEARING HOUSING	2
5	133-0070	BOLT 3/8" X 1" UNC	6
6	133-3000	BOLT 5/8" X 4" UNC	1
7	192-0034	COULTER BAR COLLAR	1
8	192-0028	COULTER SHAFT	1
9	142-4010	COULTER SLEEVE	1
10	154-4075	GREASE NIPPLE B820	1
11	134-0030	NUT 3/8" UNC	6
12	134-0095	NUT NYLOC 5/8"	1
13	135-0080	WASHER FLAT 5/8"	1
14	135-0030	WASHER SPRING 3/8"	5



**SEE 190-0005 FOR 12" VERSION**

<b>AGROWFLOW</b> COPYRIGHT RESERVED <small>THIS DRAWING IS THE PROPERTY AGROWFLOW PTY LTD, AND IS SUBJECT TO RETURN UPON DEMAND. IT IS SUBMITTED FOR USE ONLY IN CONNECTION WITH PROPOSALS OR CONTRACTS OF THIS ORGANISATION UPON THE EXPRESS CONDITION THAT IT IS NOT TO BE USED DIRECTLY OR INDIRECTLY IN ANY WAY DETRIMENTAL TO THE INTERESTES OF AGROWFLOW PTY LTD.</small>	TITLE: <b>14" SWIVEL COULTER ASSEMBLY</b>	PART NUMBER <b>190-0001</b>
	12/04/2016	SHEET: SHEET 1 OF 2

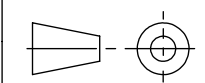


**AGROWFLOW**  
 COPYRIGHT RESERVED  
 THIS DRAWING IS THE PROPERTY AGROWFLOW PTY LTD, AND IS SUBJECT TO RETURN UPON DEMAND. IT IS SUBMITTED FOR USE ONLY IN CONNECTION WITH PROPOSALS OR CONTRACTS OF THIS ORGANISATION UPON THE EXPRESS CONDITION THAT IT IS NOT TO BE USED DIRECTLY OR INDIRECTLY IN ANY WAY DETRIMENTAL TO THE INTERESTES OF AGROWFLOW PTY LTD.

TITLE:  
**14" SWIVEL COULTER ASSEMBLY**

PART NUMBER  
**190-0001**

12/04/2016



SHEET:  
 SHEET 2 OF 2