

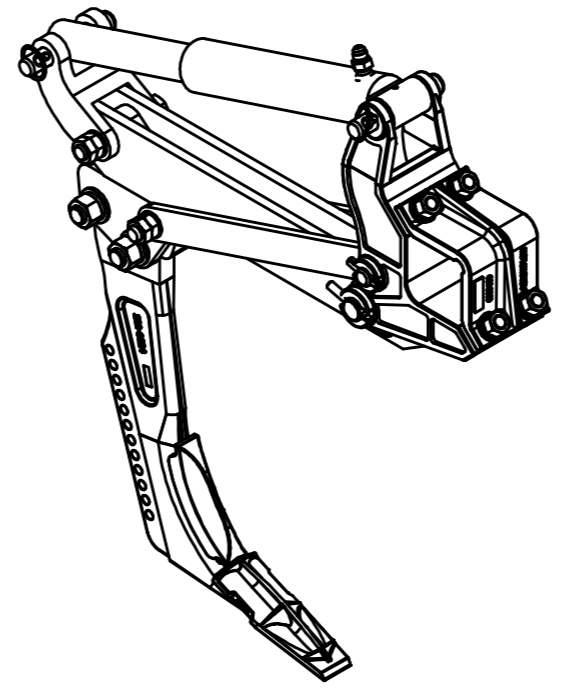
PARTS LIST			
ITEM	PART NUMBER	TITLE	QTY
1	121-1024	SHANK #8 24"	1
2	107-3053	Hyd Shank Assy Main Bar	2
3	125-3052	Hyd Shank Assy Cross Bar	2
4	005-3004	Hyd Shank Assy Rear Piston Mount	1
5	005-2001	Cast Hyd Shank Carrier	1
6	122-2001	BLADE #8 PLAIN	1
7	134-1020	NUT HEX 3/4" UNC ZINC	4
8	135-1010	FLAT WASHER 3/4"	4
9	133-3060	BOLT 3/4 X 2 1/2" UNC	4
10	133-4030	SHOULDER BOLT 1" X 5" 7/8 THREAD	2
11	133-4060	BOLT 1" x 4"UNC G8 ZINC	2
12	135-1020	FLAT WASHER 7/8"	2
13	134-1060	NUT HALF 7/8" UNC	4
14	135-1040	WASHER SPRING 1" OD##xTHICK ZINC	2
15	134-1070	NUT HEX 1" UNC ZINC	2
16	135-1060	1" FLAT WASHER	2
17	140-0004	CLEVIS PIN 1" 115mm	2
18	153-4200	2.5x9" Hydraulic Shank Cylinder	1
19	140-4029	Hyd Recoil Pivot Pin	1
20	140-4032	Top Cyl Pin	1
21	140-1015	ROLL PIN 2 1/4 X 7/16 B1156	4
22	140-0039	LYNCH PIN 11mm 32mm	2
23	002-3003	CLAMP PLATE 4 X 4 OR	1
	005-3008	4X4 COULTER CLAMP	
24	005-1002	RECOIL PIVOT CLAMP	1
25	005-3002	RECOIL BUSH	1
26	135-0090	WASHER SPRING 3/4" OD##xTHICK ZINC	4
27	121-2002	SHIN GUARD	1
28	142-0002	HYD SPACER BUSH	1
29	154-4260	ORIFACE RESTRICTOR PLATE	1
30	154-0019	HYD ADAPTOR, 3/4" UNO to 3/4" JIC	1

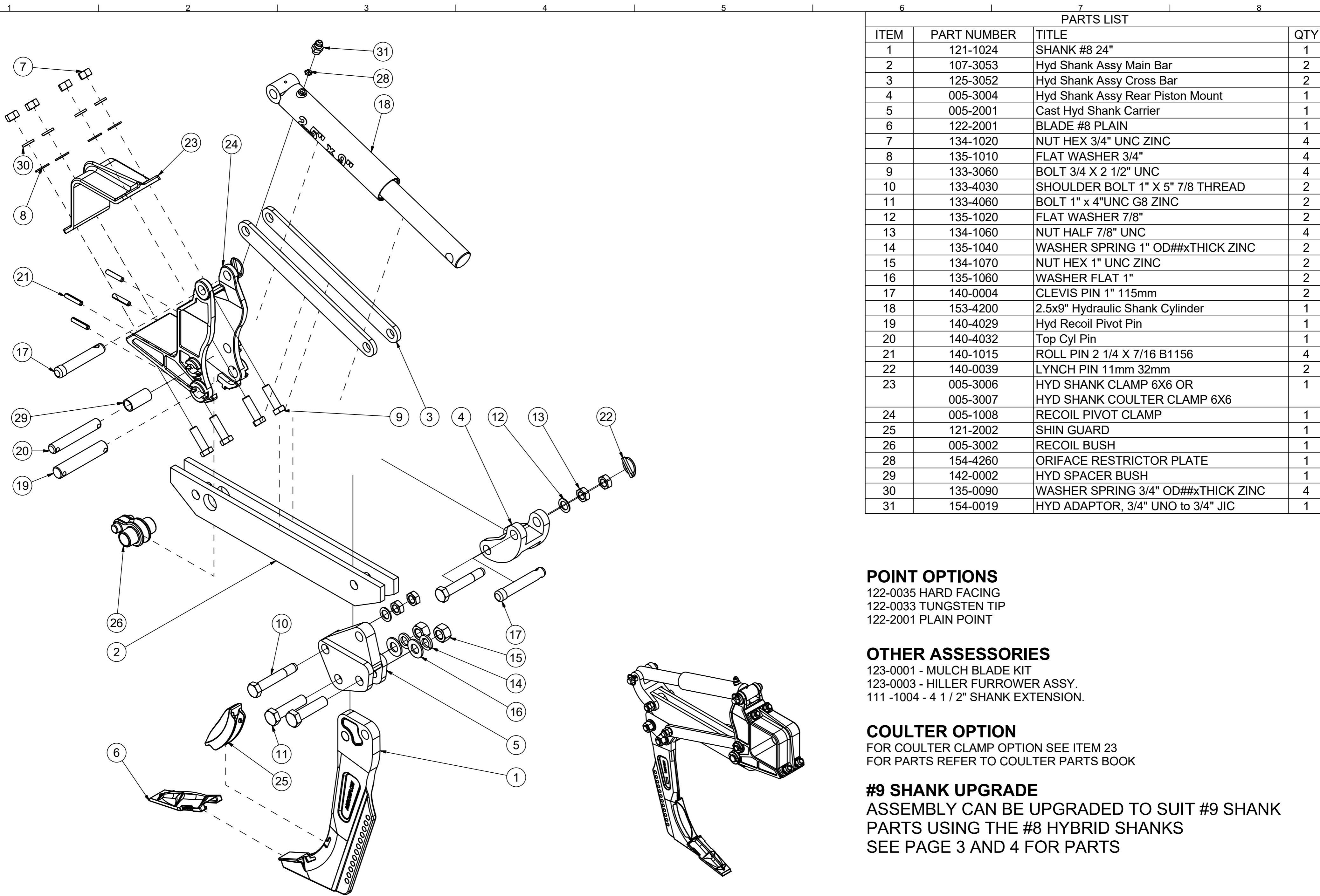
POINT OPTIONS
 122-0035 HARD FACING
 122-0033 TUNGSTEN TIP
 122-2001 PLAIN POINT

OTHER ASSESSORIES
 123-0001 - MULCH BLADE KIT
 123-0003 - HILLER FURROWER ASSY.
 111 -1004 - 4 1 / 2" SHANK EXTENSION.

COULTER OPTION
 FOR COULTER CLAMP OPTION SEE ITEM 23
 FOR PARTS REFER TO COULTER PARTS BOOK

#9 SHANK UPGRADE
 ASSEMBLY CAN BE UPGRADED TO SUIT #9 SHANK
 PARTS USING THE #8 HYBRID SHANKS
 SEE PAGE 3 AND 4 FOR PARTS





PARTS LIST			
ITEM	PART NUMBER	TITLE	QTY
1	121-1024	SHANK #8 24"	1
2	107-3053	Hyd Shank Assy Main Bar	2
3	125-3052	Hyd Shank Assy Cross Bar	2
4	005-3004	Hyd Shank Assy Rear Piston Mount	1
5	005-2001	Cast Hyd Shank Carrier	1
6	122-2001	BLADE #8 PLAIN	1
7	134-1020	NUT HEX 3/4" UNC ZINC	4
8	135-1010	FLAT WASHER 3/4"	4
9	133-3060	BOLT 3/4 X 2 1/2" UNC	4
10	133-4030	SHOULDER BOLT 1" X 5" 7/8 THREAD	2
11	133-4060	BOLT 1" x 4"UNC G8 ZINC	2
12	135-1020	FLAT WASHER 7/8"	2
13	134-1060	NUT HALF 7/8" UNC	4
14	135-1040	WASHER SPRING 1" OD##xTHICK ZINC	2
15	134-1070	NUT HEX 1" UNC ZINC	2
16	135-1060	WASHER FLAT 1"	2
17	140-0004	CLEVIS PIN 1" 115mm	2
18	153-4200	2.5x9" Hydraulic Shank Cylinder	1
19	140-4029	Hyd Recoil Pivot Pin	1
20	140-4032	Top Cyl Pin	1
21	140-1015	ROLL PIN 2 1/4 X 7/16 B1156	4
22	140-0039	LYNCH PIN 11mm 32mm	2
23	005-3006	HYD SHANK CLAMP 6X6 OR	1
	005-3007	HYD SHANK COULTER CLAMP 6X6	
24	005-1008	RECOIL PIVOT CLAMP	1
25	121-2002	SHIN GUARD	1
26	005-3002	RECOIL BUSH	1
28	154-4260	ORIFACE RESTRICTOR PLATE	1
29	142-0002	HYD SPACER BUSH	1
30	135-0090	WASHER SPRING 3/4" OD##xTHICK ZINC	4
31	154-0019	HYD ADAPTOR, 3/4" UNO to 3/4" JIC	1

POINT OPTIONS
 122-0035 HARD FACING
 122-0033 TUNGSTEN TIP
 122-2001 PLAIN POINT

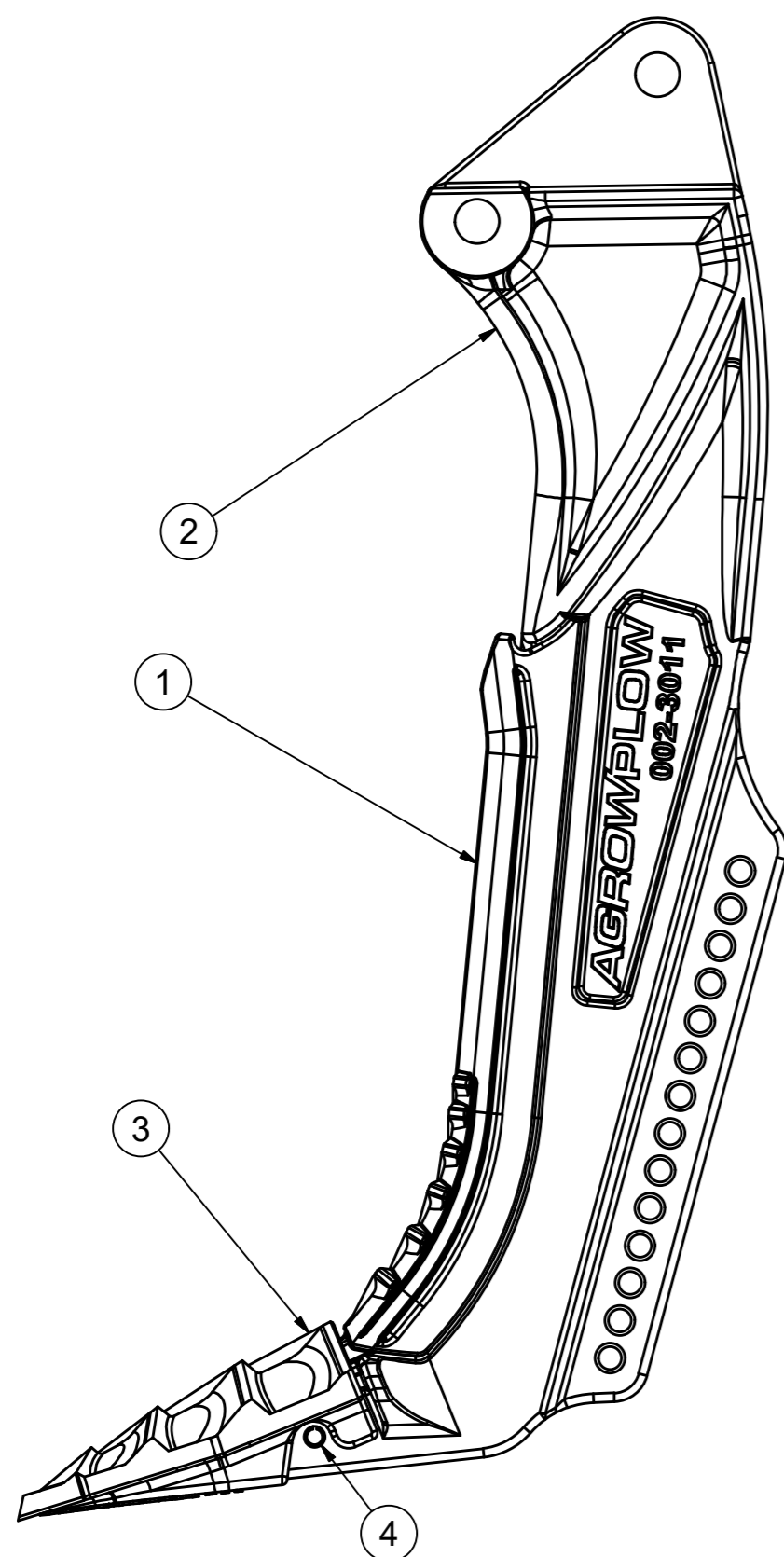
OTHER ASSESSORIES
 123-0001 - MULCH BLADE KIT
 123-0003 - HILLER FURROWER ASSY.
 111 -1004 - 4 1 / 2" SHANK EXTENSION.

COULTER OPTION
 FOR COULTER CLAMP OPTION SEE ITEM 23
 FOR PARTS REFER TO COULTER PARTS BOOK

#9 SHANK UPGRADE
 ASSEMBLY CAN BE UPGRADED TO SUIT #9 SHANK
 PARTS USING THE #8 HYBRID SHANKS
 SEE PAGE 3 AND 4 FOR PARTS

NOTE:
 THE #8 SHANK HYDRAULIC RECOIL ASSEMBLY WAS DESIGNED FOR A 24" SHANK. FITTING A 30" SHANK INCREASES THE LEVERAGE ON THE ASSEMBLY REDUCING THE FORCE REQUIRED TO CAUSE BREAK OUT. OPERATORS ARE ADVISED TO BALANCE HYDRAULIC PRESSURE, ACCUMULATOR PRESSURE, WORKING DEPTH, GROUND CONDITIONS AND SPEED. FAILURE TO DO SO MAY INCREASE WEAR OR CAUSE DAMAGE TO THE ASSEMBLY.

#8 HYBRID TO #9 SHANK HYDRAULIC 30" SHANK			
ITEM	PART NUMBER	TITLE	QTY
1	022-3007	#9 LEG GUARD	1
2	022-3011	SHANK #9 HYBRID 30" HYDRAULIC	1
3	122-1004	RAZOR BACK BLADE, #9 SHANK	1
4	140-4087	ROLL PIN 12 x 55mm	1

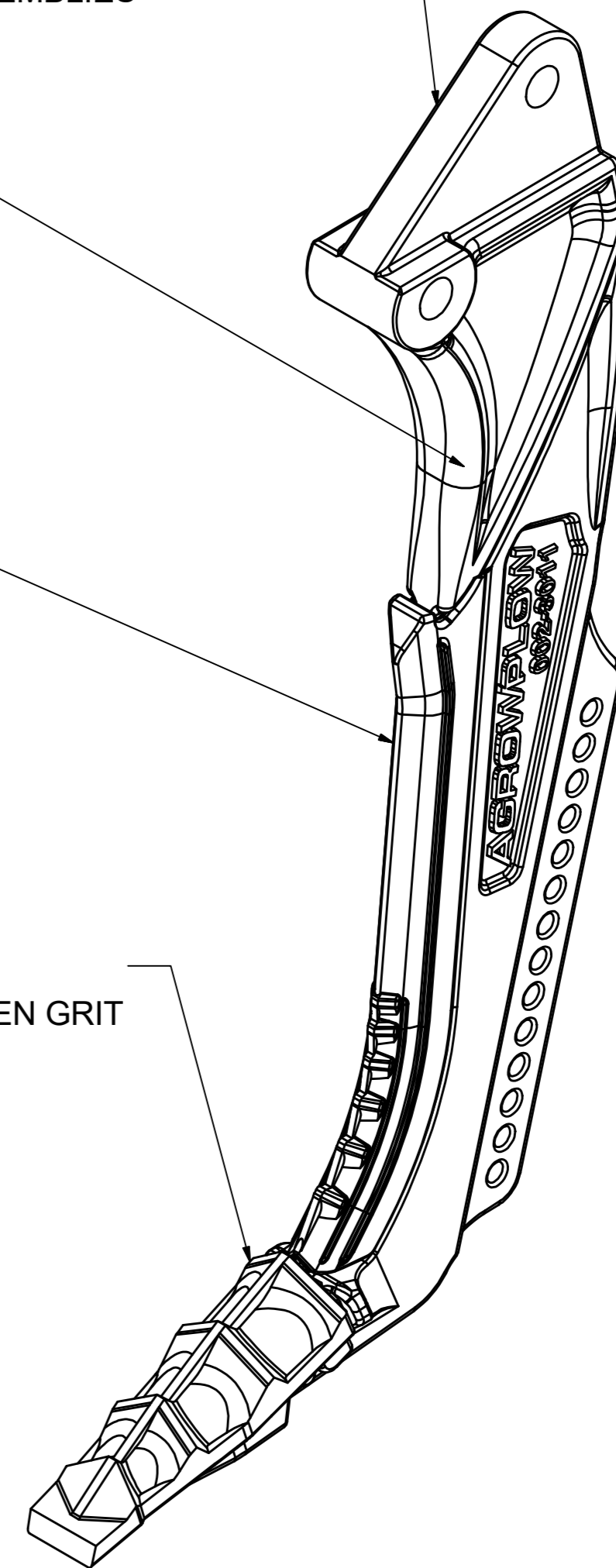


#8 HYDRAULIC MOUNTING , SUITS #8 HYDRAULIC ASSEMBLIES
 HYBRID SHANK ABSORBS PART121-2002 AND ASSOCIATED 1" BOLT ASSEMBLIES

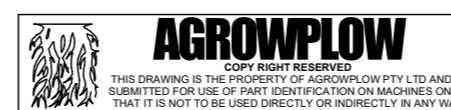
#9 SHANK LEG, EQUIVILANT TO 30" SHANK

#9 SHANK FULL LENGTH LEG GUARD
 022-3007 #9 LEG GUARD
 022-3008 #9 LEG GUARD + HARDFACE WITH TUNGSTEN GRIT

#9 SHANK BLADE
 122-1005 #9 BLADE, (x3) TUNGSTEN TILES + HARDFACING WITH TUNGSTEN GRIT
 122-1007 #9 BLADE, (x17) TUNGSTEN TILES
 122-1008 #9 BLADE, (x3) TUNSTEN TILES
 122-1009 #9 BLADE, HARDFACING WITH TUNGSTEN GRIT ALL OVER



RELATED PART CODES
 005-1012 - MOUNTED SHANK ASSEMBLY, HYDRAULIC 150x150 #8 HYBRID 30"
 022-4030 - ROLL PIN PUNCH



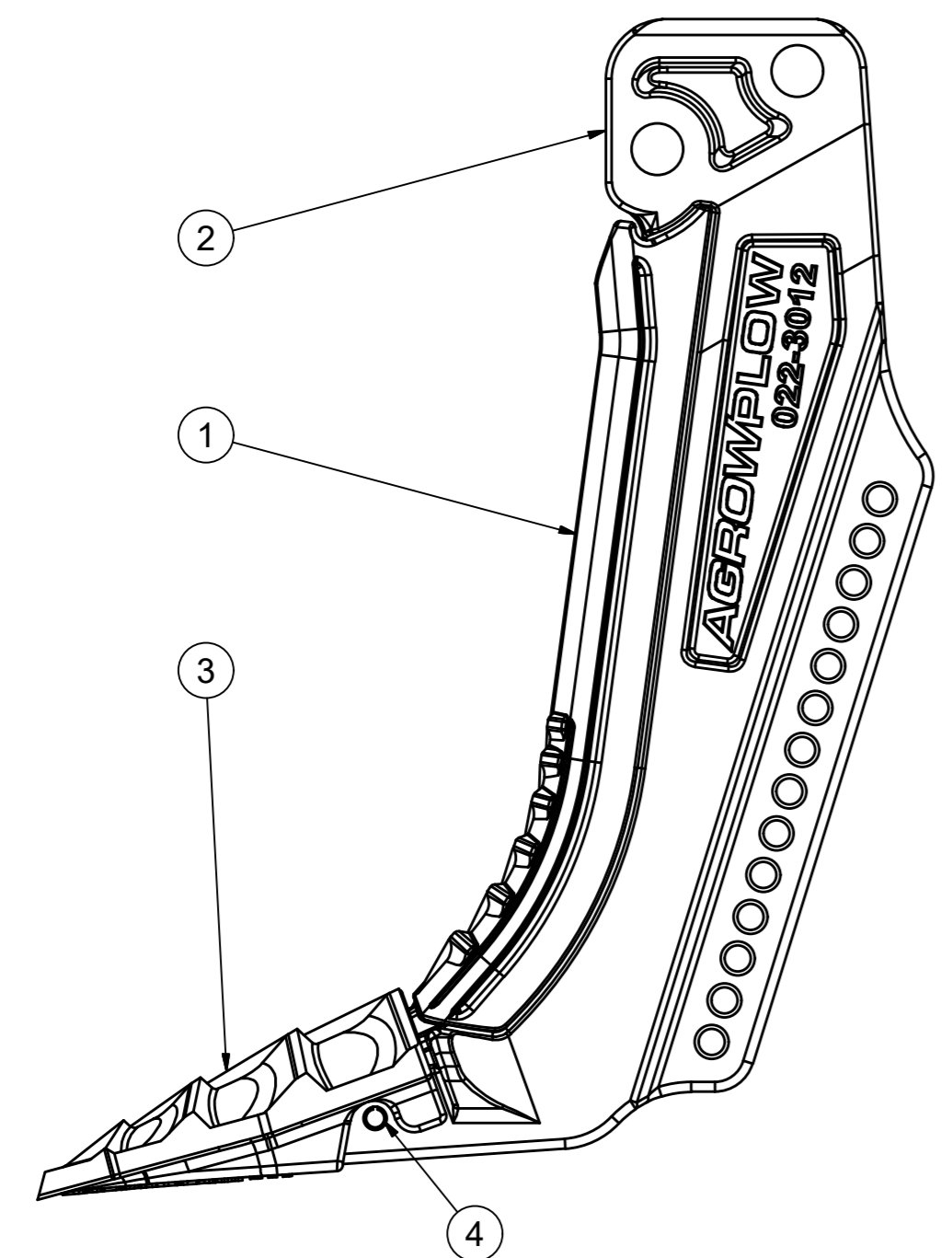
PROJECT: #8 HYBRID SHANK
 DATE: 06-Jun-15

PART NUMBER: 005-1012
 SHANK ONLY

TITLE: #8 HYBRID, HYDRAULIC SHANK, 30"

Page Number: 3 / 4

PARTS LIST			
ITEM	PART NUMBER	TITLE	QTY
1	022-3007	#9 LEG GUARD	1
2	022-3012	#9 SHANK HYBRID 24"	1
3	122-1004	RAZOR BACK BLADE, #9 SHANK	1
4	140-4087	ROLL PIN 12 x 55mm	1

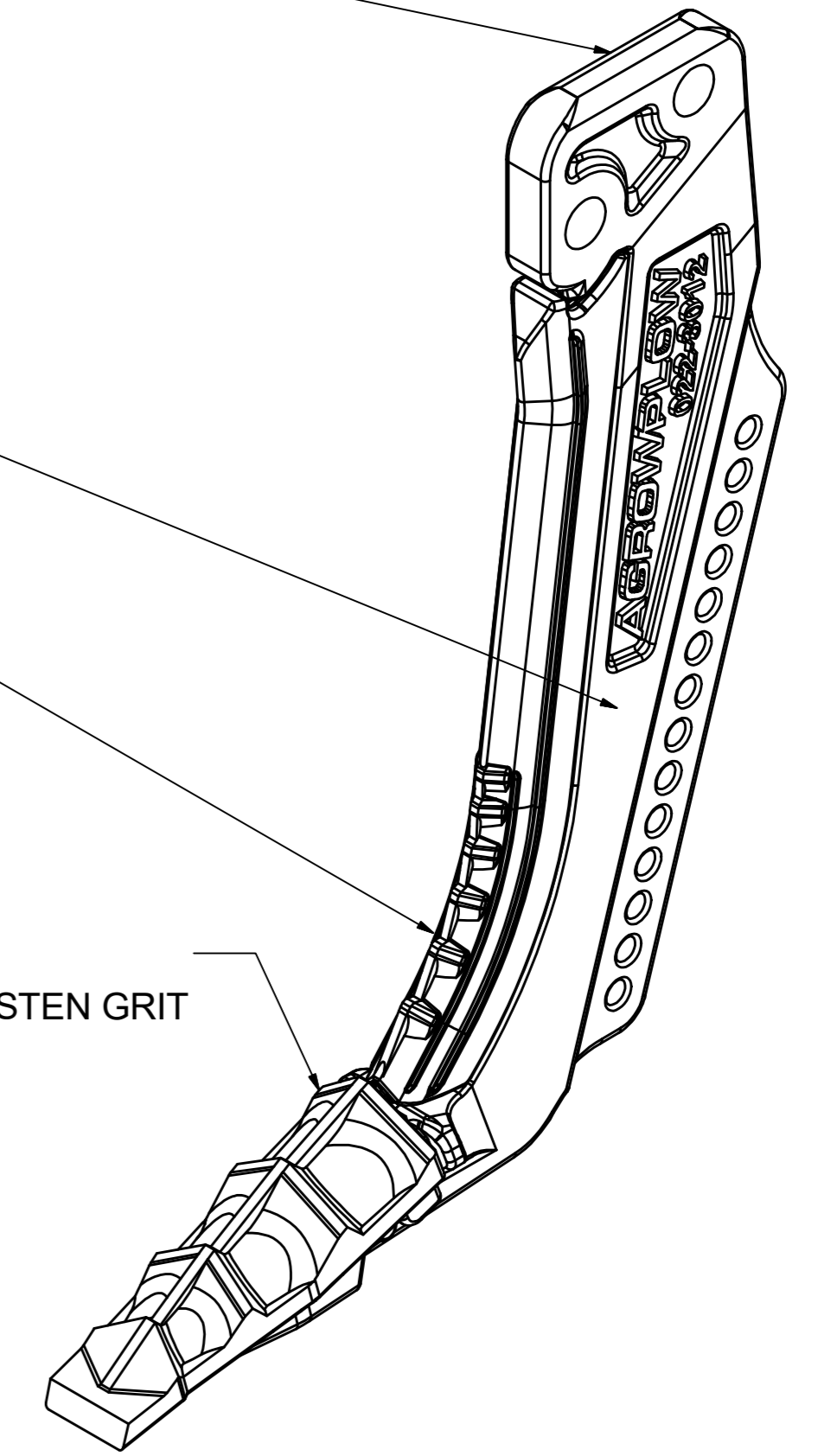


#8 SHANK MOUNTING, SUITS #8 SHANK CARRIERS

#9 SHANK LEG

#9 SHANK FULL LENGTH LEG GUARD
 022-3007 #9 LEG GUARD
 022-3008 #9 LEG GUARD + HARDFACE WITH TUNGSTEN GRIT

#9 SHANK BLADE
 122-1005 #9 BLADE, (x3) TUNGSTEN TILES + HARDFACING WITH TUNGSTEN GRIT
 122-1007 #9 BLADE, (x17) TUNGSTEN TILES
 122-1008 #9 BLADE, (x3) TUNSTEN TILES
 122-1009 #9 BLADE, HARDFACING WITH TUNGSTEN GRIT ALL OVER



RELATED PART CODES
 120-0008 - MOUNTED SHANK ASSEMBLY, RIGID 100x100 #8 HYBRID 24"
 022-4030 - ROLL PIN PUNCH