

Parts List			
ITEM	PART NUMBER	TITLE	QTY
1	532-3001	7S AP 30 Frame - CAT 2 3 Point Hitch	1
2	532-1000	LEFT WHEEL ARM ASSEMBLY	1
3	563-1001	RIGHT WHEEL ARM ASSEMBLY	1
4	530-3001	Safety Stand - WA	4
5	140-0004	PIN TOP CYLINDER B81	1
6	140-0039	LYNCH PIN	7
7	140-0003	LOWER PIN CAT 2 B216	2
8	140-0002	TOP PIN CAT 1 B74	4

PAINT - AGROWPLOW BLUE SPRAY
 CAN - 600-4015
 SHANK POINT TOOL - 002-4051

SHANK OPTIONS:
 100 X 100 RIGID SHANK
 100 X 100 RIGID SHANK WITH COULTER
 100 X 100 HYDRALIC SHANK
 100 X 100 HYDRALIC SHANK WITH COULTER
 HYDRALIC SHANKS REQUIRE THE FOLLOWING
 154-1512 4L ACCUMULATOR
 154-1511 MANIFOLD ASSEMBLY

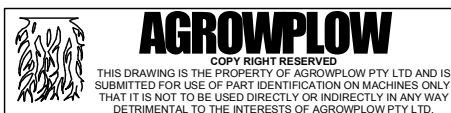
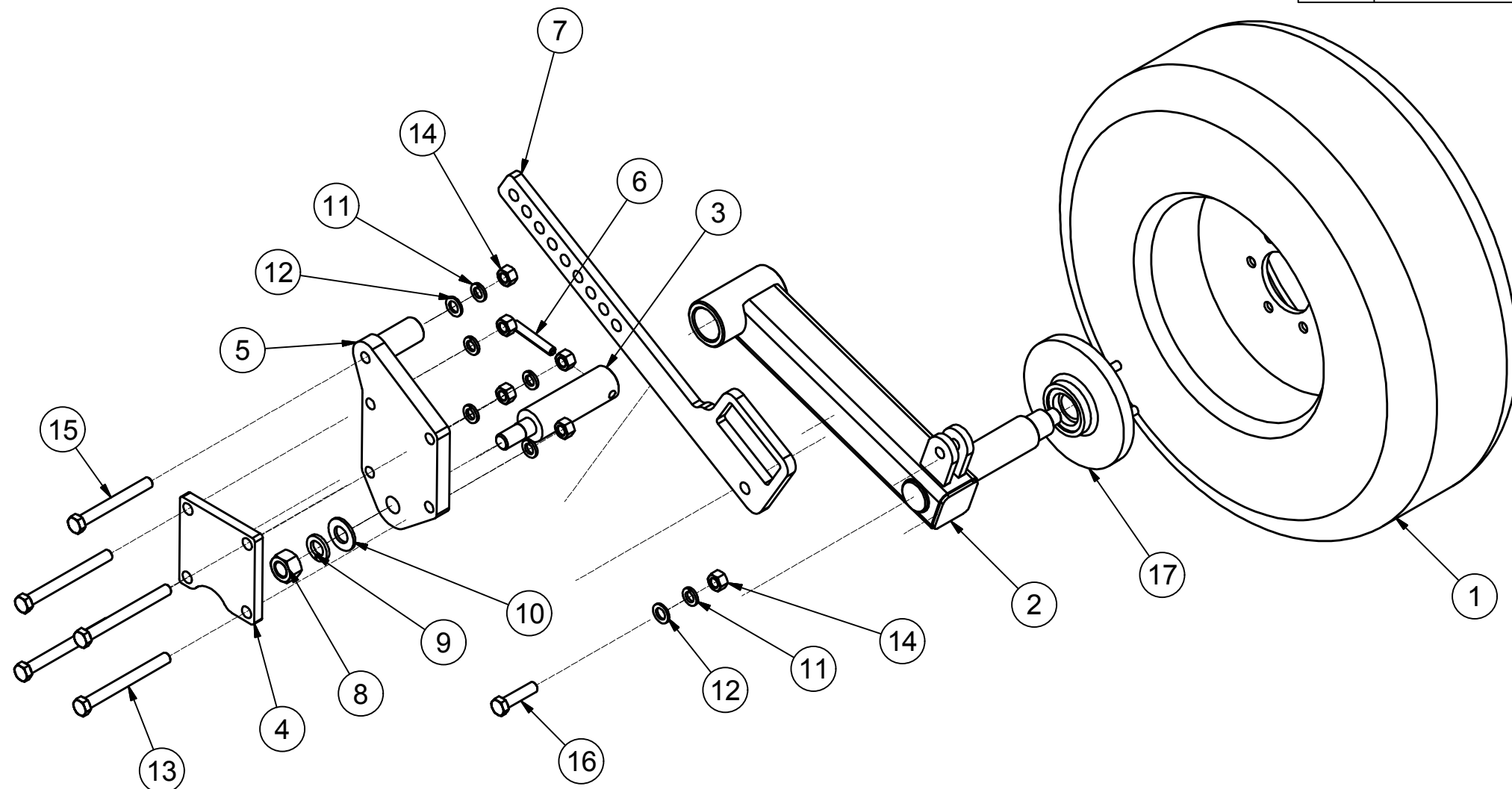
7 SHANK ASSEMBLY SHOWN

FOR THE 11 SHANK USE THE FOLLOWING
 FRAME 534-3001 FOR ITEM "1".

FOR ANY SHANK STYLE'S PLEASE
 REFER TO THE SHANK BOOK.

NEW WHEEL ASSEMBLY FROM NOV 2014

Parts List			
ITEM	PART NUMBER	TITLE	QTY
1	139-2015	TYRE & RIM 235/75 R15	1
2	563-1002	LEFT WHEEL ARM WELDED ASSEMBLY	1
3	563-3008	MAIN PIVOT AXLE	1
4	563-3014	CLAMPING PLATE	1
5	563-1004	MAIN MOUNTING PLATE LEFT HAND	1
6	140-4076	ROLL PIN DIA 12 X 80	1
7	563-3005	PITCH PLATE	1
8	134-4041	M24 x 1.5 NUT	1
9	135-1040	M24 SPRING WASHER	1
10	135-1060	DIA 24 FLAT WASHER	1
11	135-0070	SPRING WASHER 5/8 M16	6
12	135-0080	FLAT WASHER 5/8 M16 H/D	2
13	133-3030	5/8 x 6 1/2 BOLT	4
14	134-0090	5/8 HEX NUT	6
15	133-3050	5/8 X 5 1/2 HEX BOLT	1
16	133-2060	BOLT 5/8" X 2 1/2"	1
17	161-0003	161-003-UNI HUB	1



PROJECT: AP 30
 DATE: 29/01/2015

PART NUMBER: 563-1000

TITLE: AP 30 MAIN ASSEMBLY 7 SHANK
 CAT 2

Page Number: 2 / 5

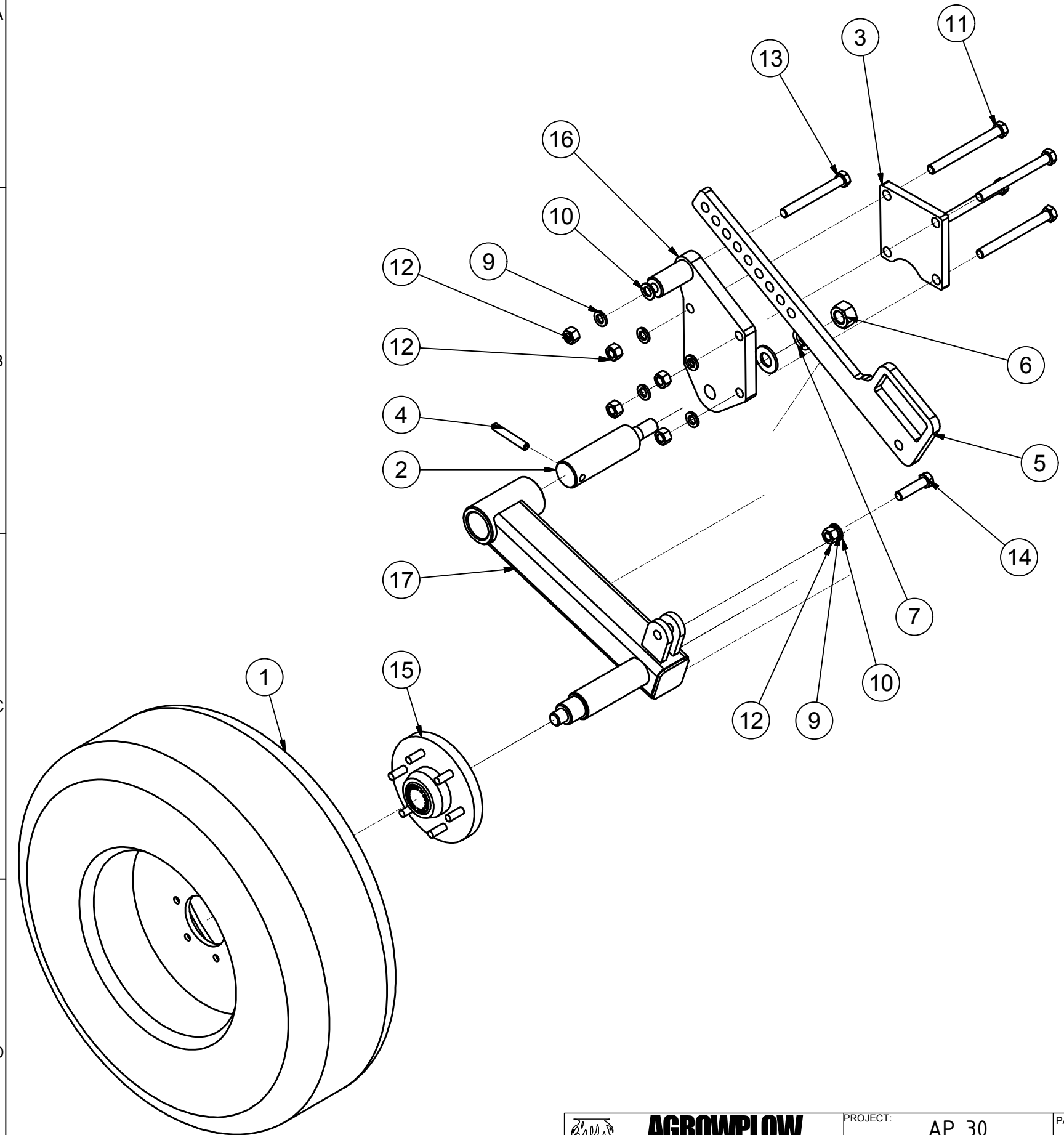
NEW WHEEL ASSEMBLY FROM NOV 2014

A

B

C

D



Parts List

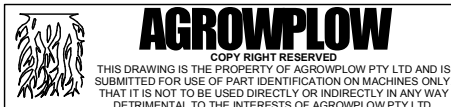
ITEM	PART NUMBER	TITLE	QTY
1	139-2015	TYRE & RIM 235/75 R15	1
2	563-3008	MAIN PIVOT AXLE	1
3	563-3014	CLAMPING PLATE	1
4	140-4076	ROLL PIN DIA 12 X 80	1
5	563-3005	PITCH PLATE	1
6	134-4041	M24 x 1.5 NUT	1
7	135-1040	M24 SPRING WASHER	1
8	135-1060	DIA 24 FLAT WASHER	1
9	135-0070	SPRING WASHER 5/8 M16	6
10	135-0080	FLAT WASHER 5/8 M16 H/D	2
11	133-3030	5/8 x 6 1/2 BOLT	4
12	134-0090	5/8 HEX NUT	6
13	133-3050	5/8 X 5 1/2 HEX BOLT	1
14	133-2060	BOLT 5/8" X 2 1/2"	1
15	161-0003	161-003-UNI HUB	1
16	563-1005	MAIN MOUNTING PLATE RIGHT HAND	1
17	563-1003	RIGHT WHEEL ARM WELD ASSEMBLY	1

A

B

C

D

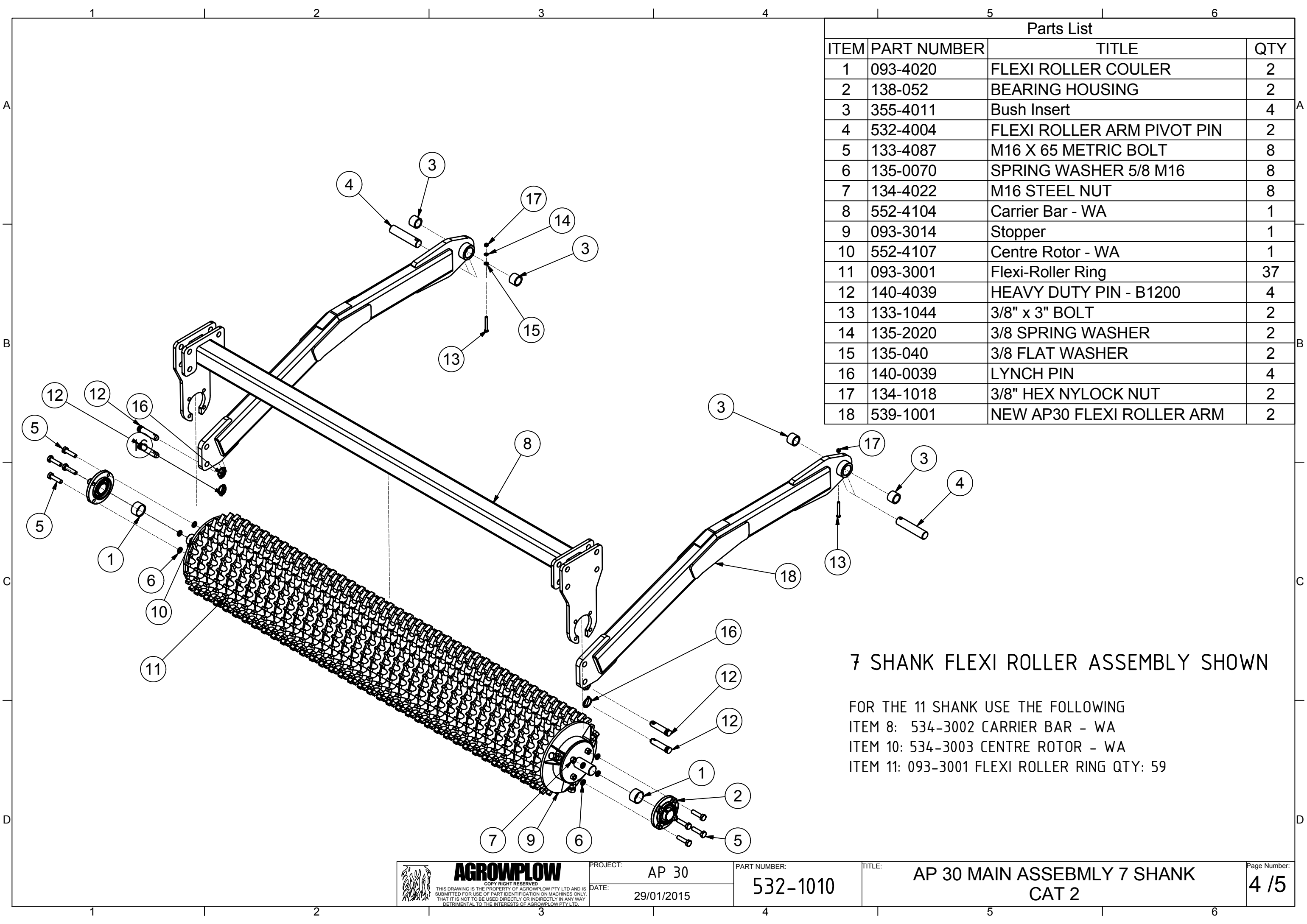


PROJECT: AP 30
DATE: 29/01/2015

PART NUMBER: 563-1001

TITLE: AP 30 MAIN ASSEMBLY 7 SHANK
CAT 2

Page Number: 3 / 5



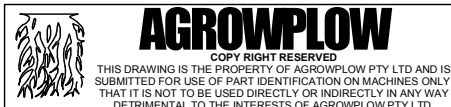
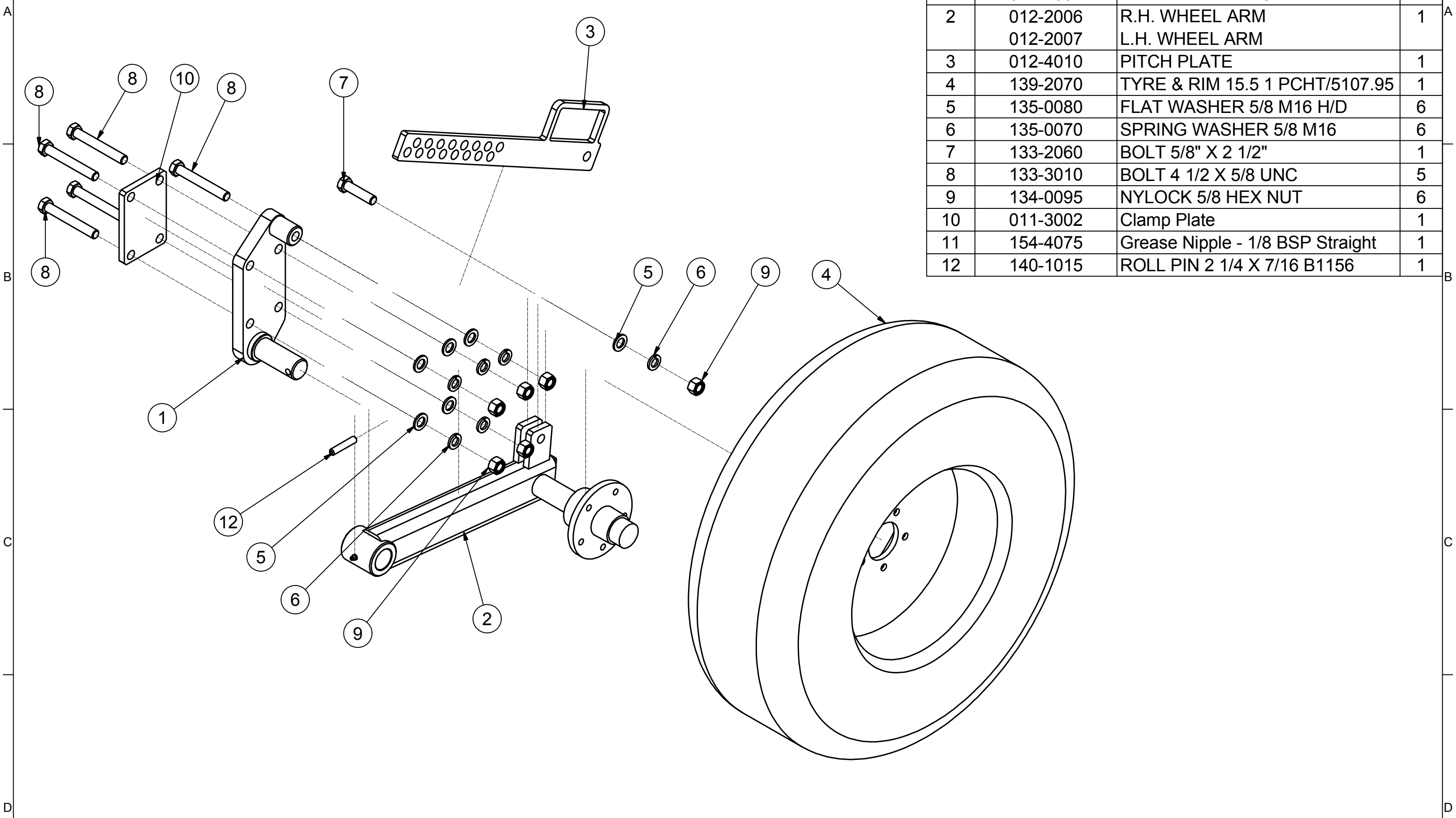
Parts List			
ITEM	PART NUMBER	TITLE	QTY
1	093-4020	FLEXI ROLLER COULER	2
2	138-052	BEARING HOUSING	2
3	355-4011	Bush Insert	4
4	532-4004	FLEXI ROLLER ARM PIVOT PIN	2
5	133-4087	M16 X 65 METRIC BOLT	8
6	135-0070	SPRING WASHER 5/8 M16	8
7	134-4022	M16 STEEL NUT	8
8	552-4104	Carrier Bar - WA	1
9	093-3014	Stopper	1
10	552-4107	Centre Rotor - WA	1
11	093-3001	Flexi-Roller Ring	37
12	140-4039	HEAVY DUTY PIN - B1200	4
13	133-1044	3/8" x 3" BOLT	2
14	135-2020	3/8 SPRING WASHER	2
15	135-040	3/8 FLAT WASHER	2
16	140-0039	LYNCH PIN	4
17	134-1018	3/8" HEX NYLOCK NUT	2
18	539-1001	NEW AP30 FLEXI ROLLER ARM	2

7 SHANK FLEXI ROLLER ASSEMBLY SHOWN

FOR THE 11 SHANK USE THE FOLLOWING
 ITEM 8: 534-3002 CARRIER BAR - WA
 ITEM 10: 534-3003 CENTRE ROTOR - WA
 ITEM 11: 093-3001 FLEXI ROLLER RING QTY: 59

OLD WHEEL ASSEMBLY BEFORE NOV 2014

Parts List			
ITEM	PART NUMBER	TITLE	QTY
1	012-1001	R.H. WHEEL BRACKET	1
	012-1002	L.H. WHEEL BRACKET	
2	012-2006	R.H. WHEEL ARM	1
	012-2007	L.H. WHEEL ARM	
3	012-4010	PITCH PLATE	1
4	139-2070	TYRE & RIM 15.5 1 PCHT/5107.95	1
5	135-0080	FLAT WASHER 5/8 M16 H/D	6
6	135-0070	SPRING WASHER 5/8 M16	6
7	133-2060	BOLT 5/8" X 2 1/2"	1
8	133-3010	BOLT 4 1/2 X 5/8 UNC	5
9	134-0095	NYLOCK 5/8 HEX NUT	6
10	011-3002	Clamp Plate	1
11	154-4075	Grease Nipple - 1/8 BSP Straight	1
12	140-1015	ROLL PIN 2 1/4 X 7/16 B1156	1



PROJECT: AP 30
 DATE: 29/01/2015

PART NUMBER: 050-1553

TITLE: AP 30 MAIN ASSEMBLY 7 SHANK
 CAT 2

Page Number: 5 / 5